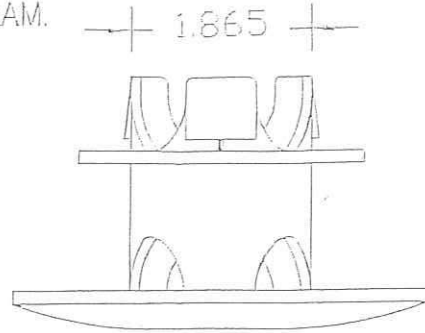
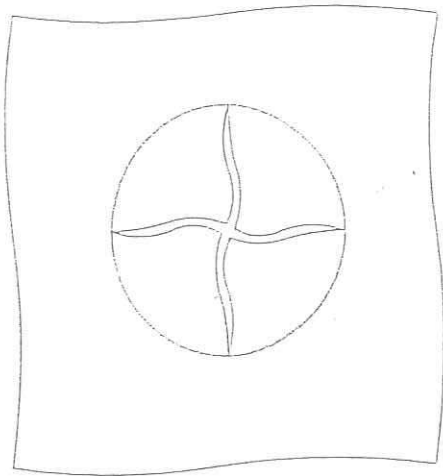


# INFLATION BLOWER/ BRACKET INSTALLATION INSTRUCTIONS

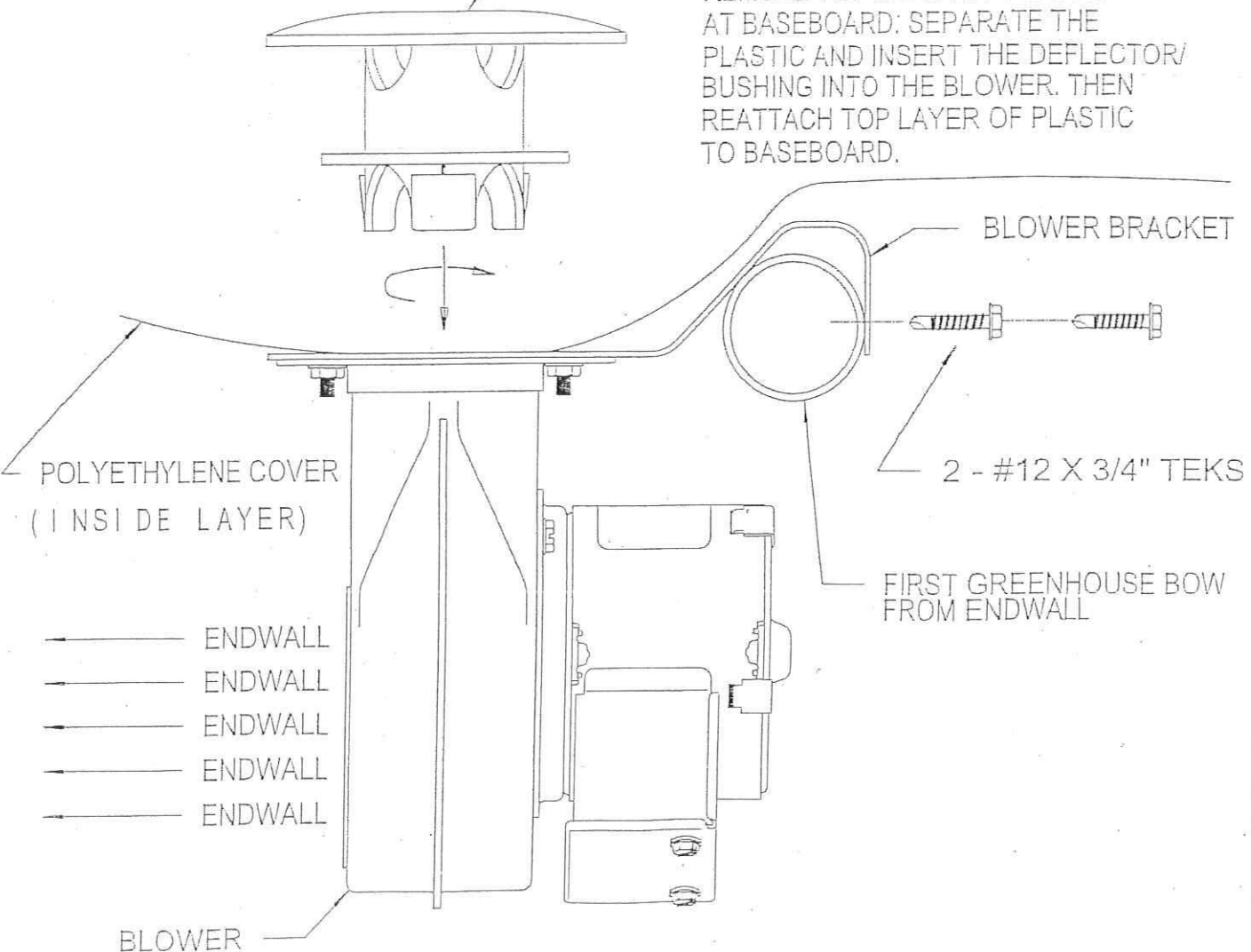
TO INSERT BUSHING CUT PLASTIC AS SHOWN. DO NOT CUT ROUND HOLE. DO NOT CUT X LARGER THAN NEEDED SEE DIAGRAM.



POLYETHYLENE COVER (OUTSIDE LAYER)

DEFLECTOR/BUSHING (INSERT THROUGH POLY AND BRACKET AND ROTATE 60 DEGREES)

NOTE: IF HOUSE IS ALREADY COVERED REMOVE TOP LAYER OF PLASTIC AT BASEBOARD; SEPARATE THE PLASTIC AND INSERT THE DEFLECTOR/ BUSHING INTO THE BLOWER. THEN REATTACH TOP LAYER OF PLASTIC TO BASEBOARD.



BLOWER BRACKET

2 - #12 X 3/4" TEKS

FIRST GREENHOUSE BOW FROM ENDWALL

POLYETHYLENE COVER (INSIDE LAYER)

- ENDWALL
- ENDWALL
- ENDWALL
- ENDWALL
- ENDWALL

BLOWER