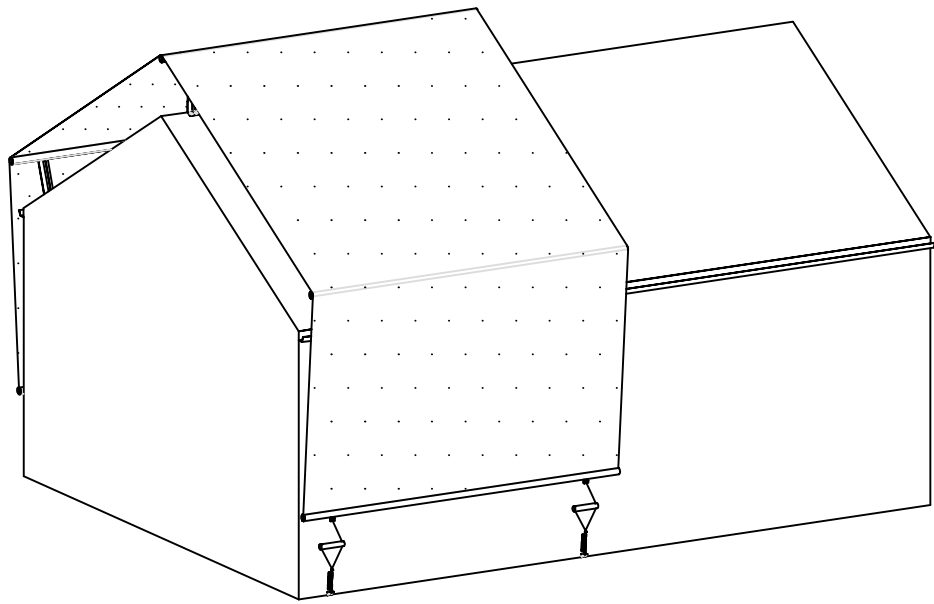


# GROW MORE Greenhouses

## Assembly Instructions






Model: Shade Net Kit 6.5'  
Item No. 2532100

  
**ACF Greenhouses.com**


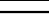





Customer Support  
Support@ACFgreenhouses.com  
1-888-888-9050








# PARTS LIST

## Stage 1

PART	NO.	Qty.
	L01A	2
	L02A	2
	Y1	1

## Stage 2

PART	NO.	Qty.
	L02A	3
	L03A	2
	L03B	4
	W01	4
	W02	4
	W03	4
	W04	4




PART	NO.	Qty.
	W05	5
	W06	4
	S01 M6X10	8
	M01 M6	8
	Z01 Ø5X16	8
	Z02 Ø4X16	6
	J01	10

## IMPORTANT:

- \*Please read these instructions carefully before assembling.
- \*Please keep these instructions for future reference.

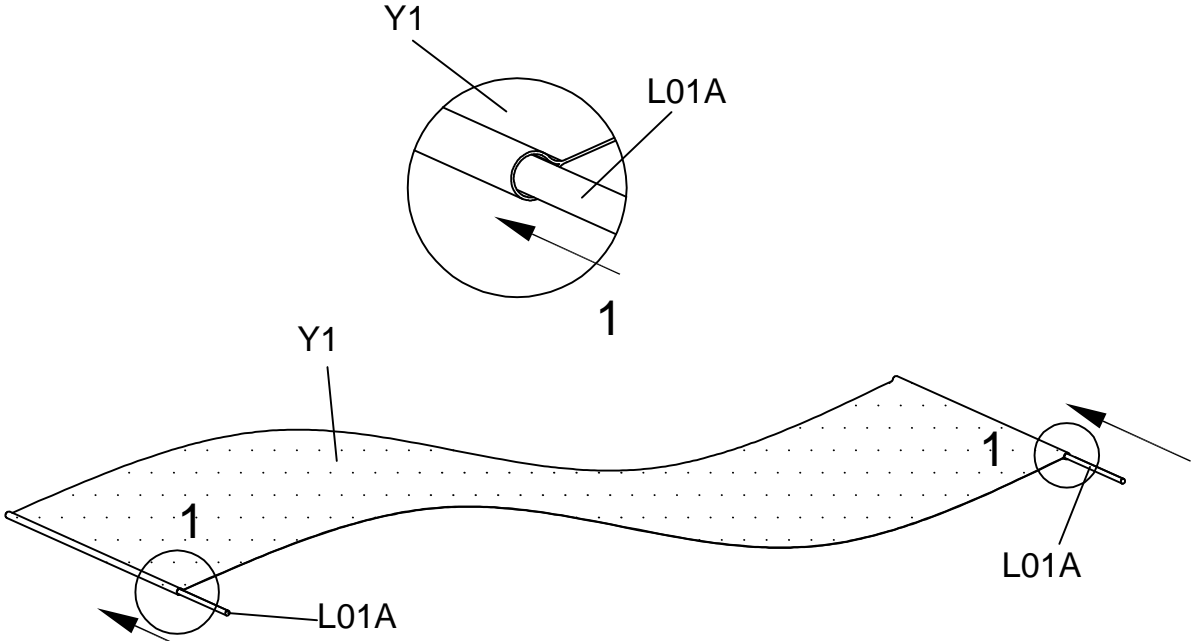
## Tools Required:

- \*Screwdriver
- \*Drill
- \*Spanner

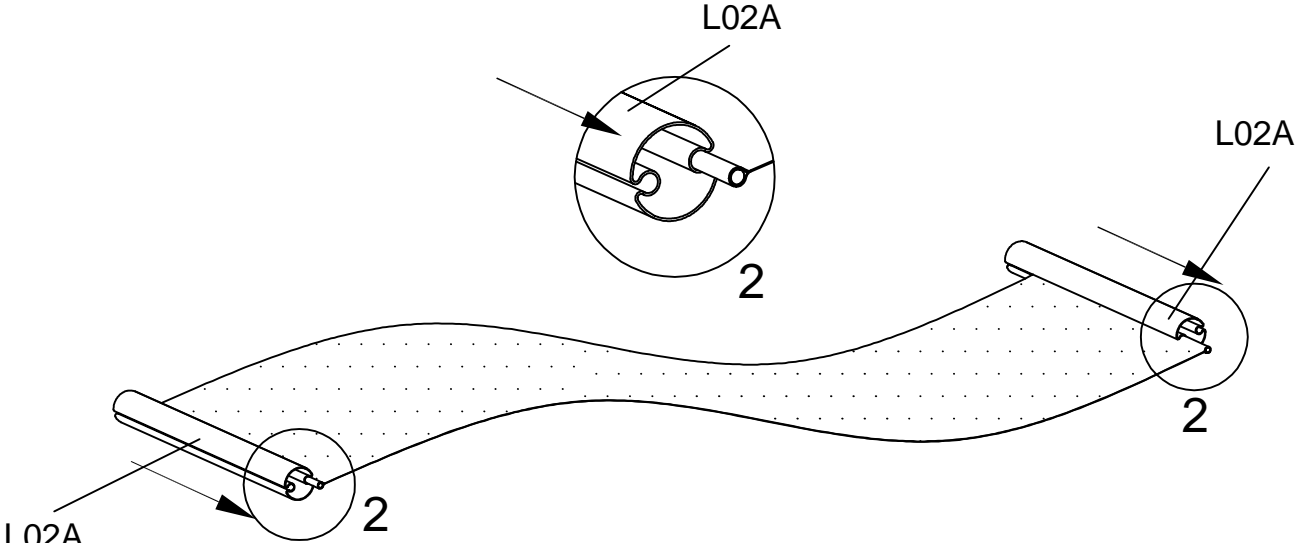
PART	NO.	Qty.
	L01A	2
	L02A	2
	Y1	1

### Stage 1


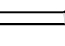











Each section of shading kit is in 2m modules (see page 4 for installation of additional modules).



Insert L01A into the hem of the shading material.

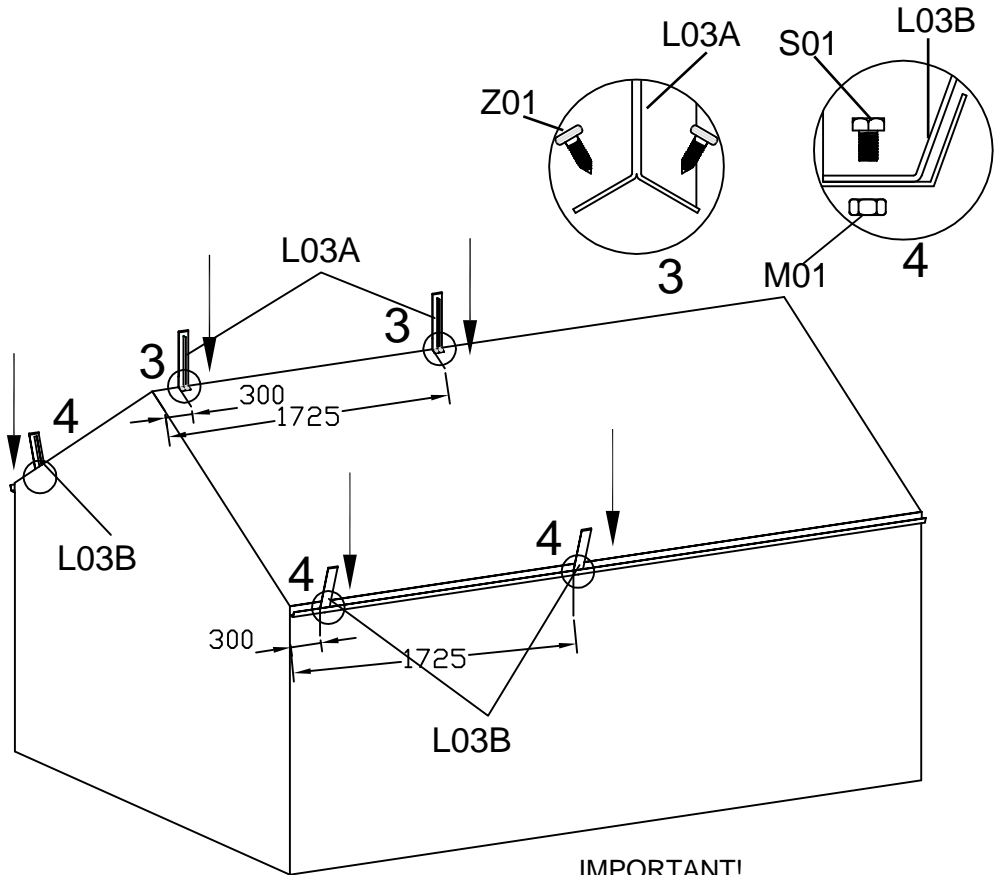


Insert into the channel of L02A.

PART	NO.	Qty.
	L02A	3
	L03A	2
	L03B	4
	W01	4
	W02	4
	W03	4
	W04	4
	W05	5
	W06	4
	S01	8
	M6X10	
	M01	8
	M6	
	Z01	8
	Ø5X16	
	Z02	6
	Ø4X16	

## Stage 2

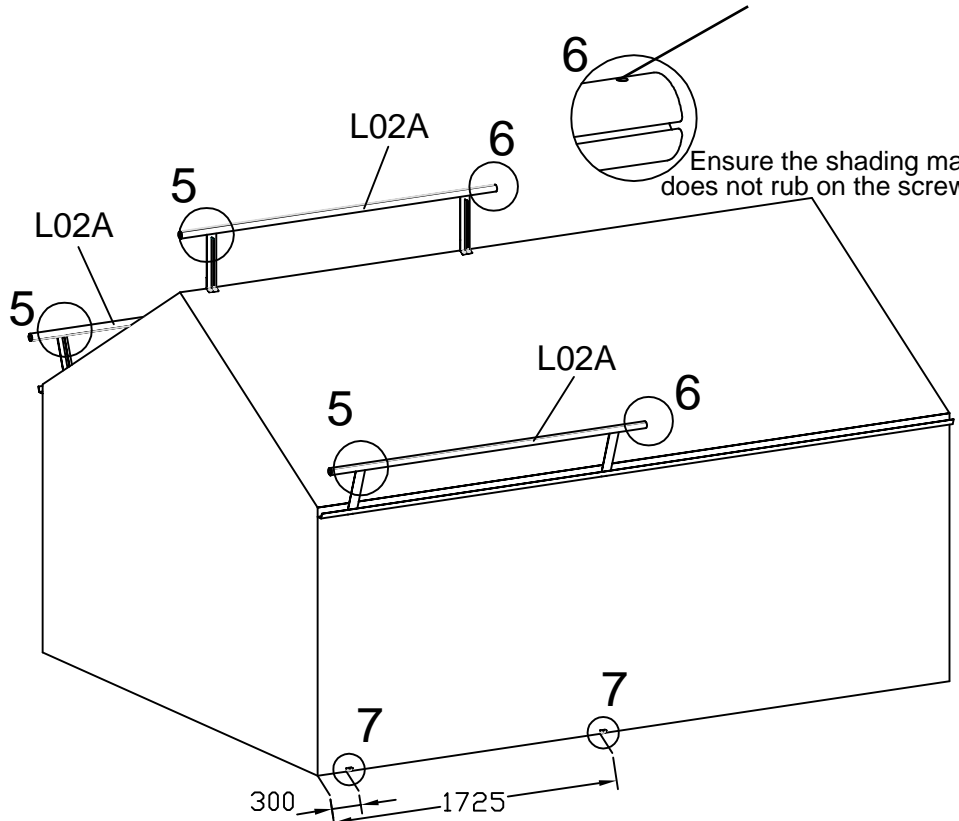
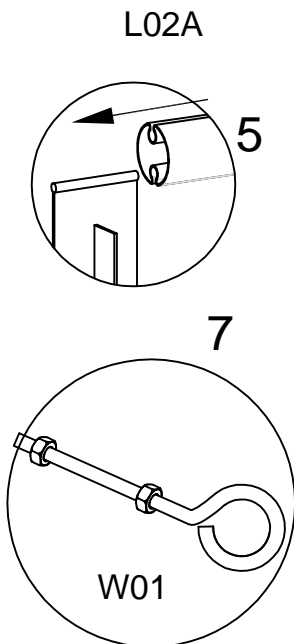
Ridge brackets (L03A) and Eave brackets (L03B) are to be placed 300mm from the end of each Greenhouse ridge and eave profile. Drill 8 holes through L03A into the ridge frame and also drill 8 holes through L03B into the gutter/eave profile (refer to figures shown).



### IMPORTANT!

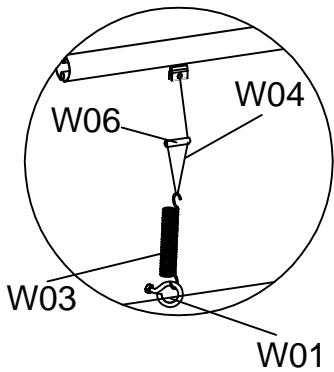
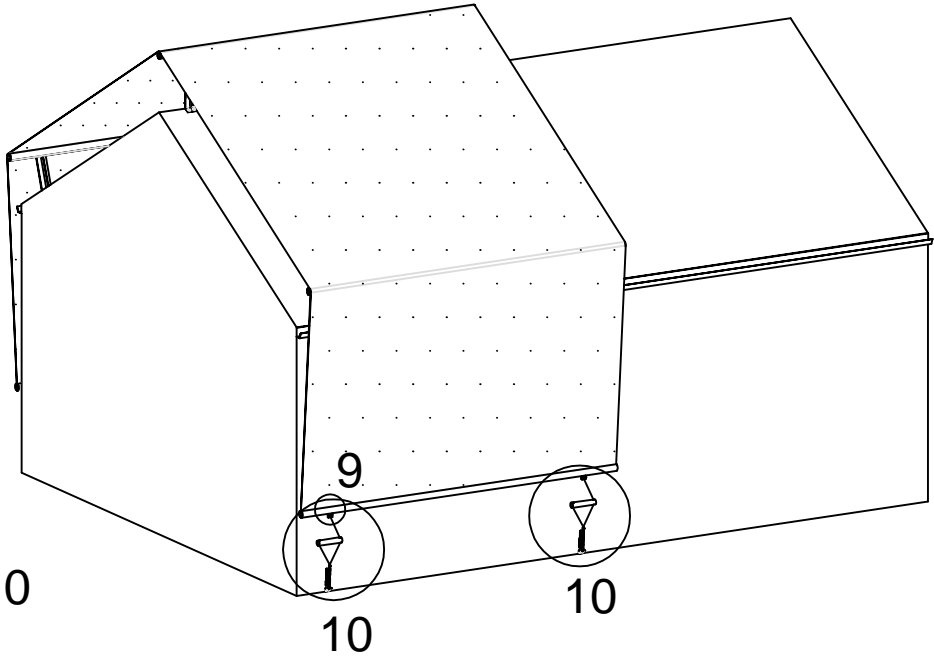
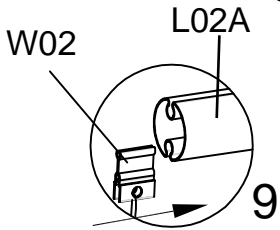
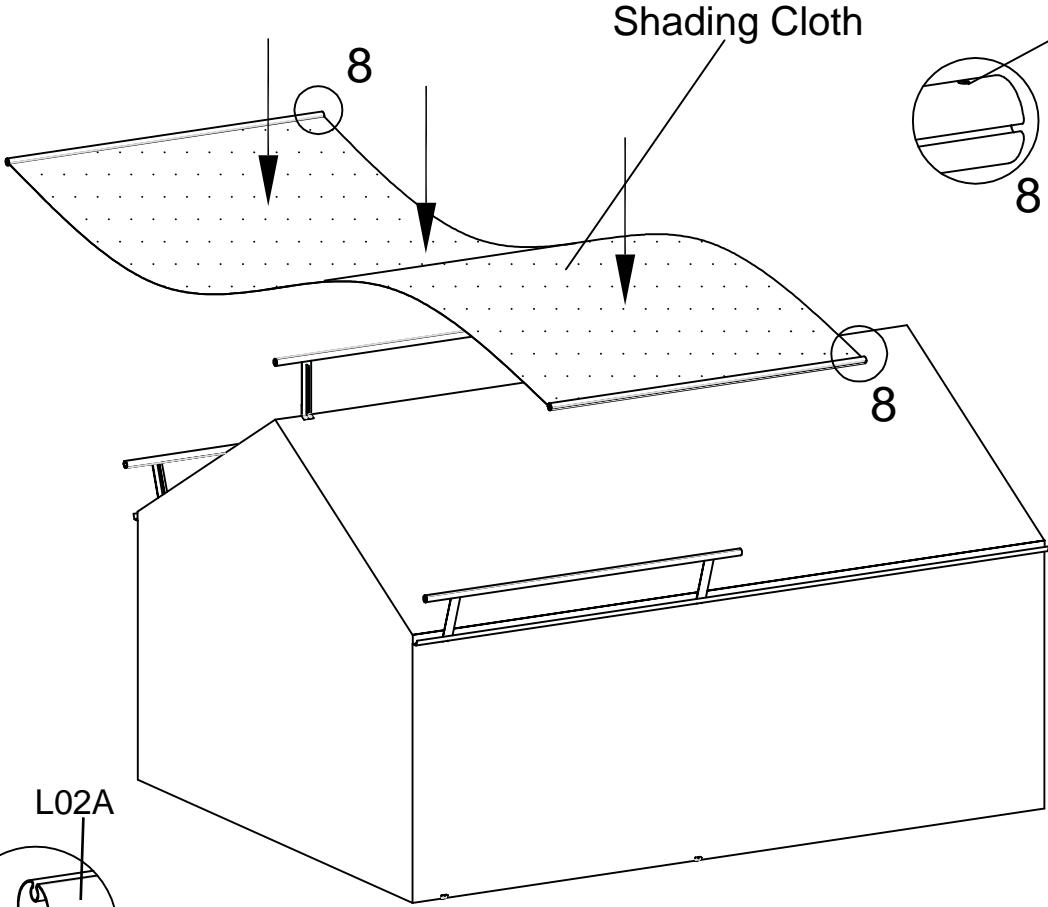
Pay attention to this small hole which should face up and to the right side.

Ensure the shading material does not rub on the screw heads.



At the base of the Greenhouse place a W01 300mm from the front of the Greenhouse and place another at 1725mm. Predrill the holes using a 6mm diameter drill and screw fix the brackets in place being careful not to over tighten. Repeat the process on the opposite side of Greenhouse.

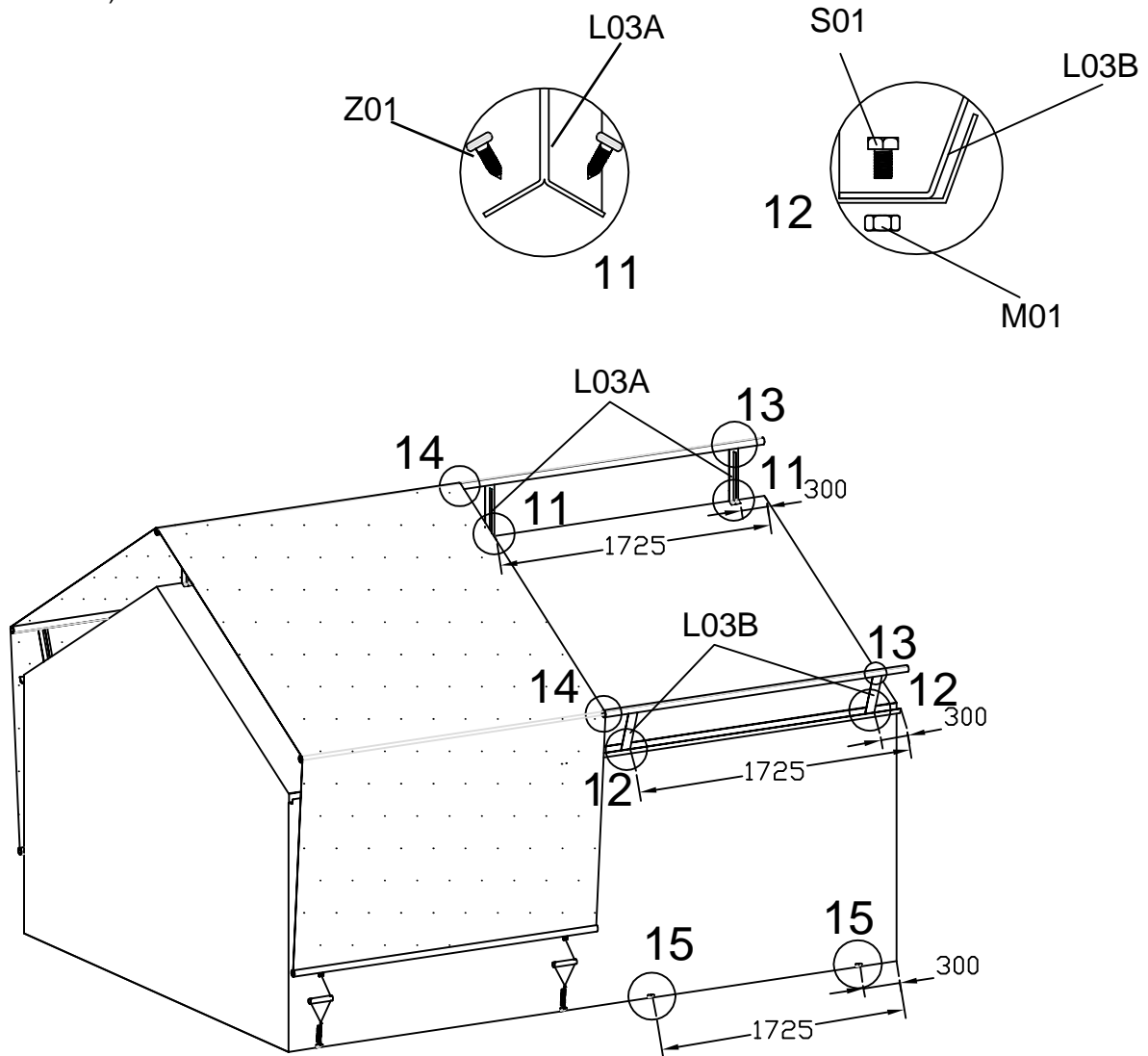
**IMPORTANT!**  
Pay attention to this small hole which should face up and to the right side.



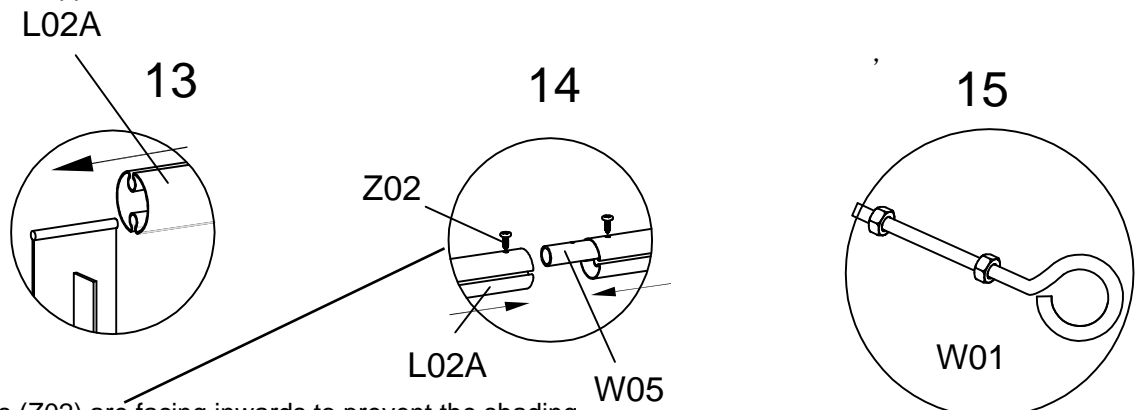
Insert the W02 part into L02A at each end of the shading rod. Then assemble the rope and spring tensioner to hold the shade cloth firmly in place. It is important the shading material is taut over the Greenhouse. Repeat the process on the opposite side of Greenhouse.

## Assembly instructions for 4m shading kit

Ridge brackets (L03A) and Eave brackets (L03B) are to be placed 300mm from the end of each Greenhouse ridge and eave profile. Drill 8 holes through L03A into the ridge frame and also drill 8 holes through L03B into the gutter/eave profile (refer to figures shown).



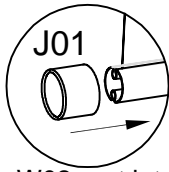
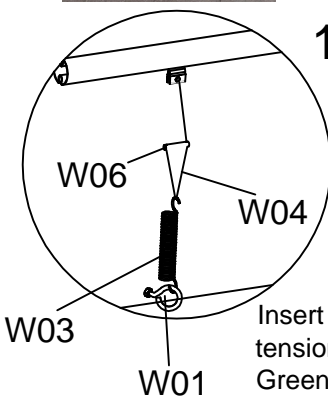
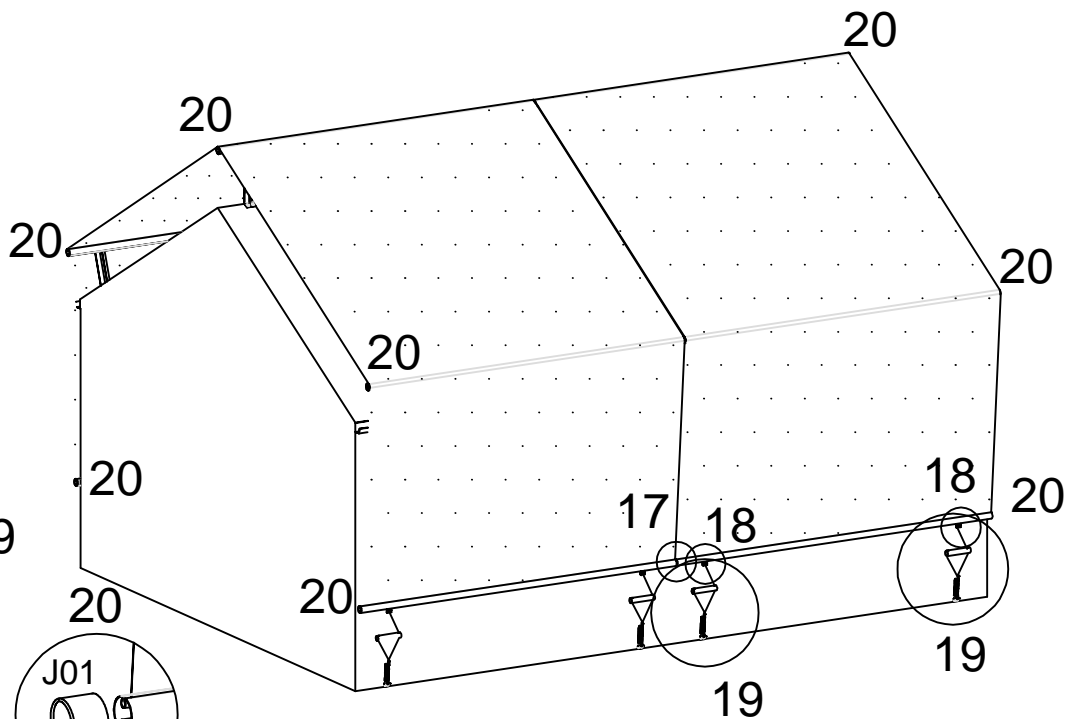
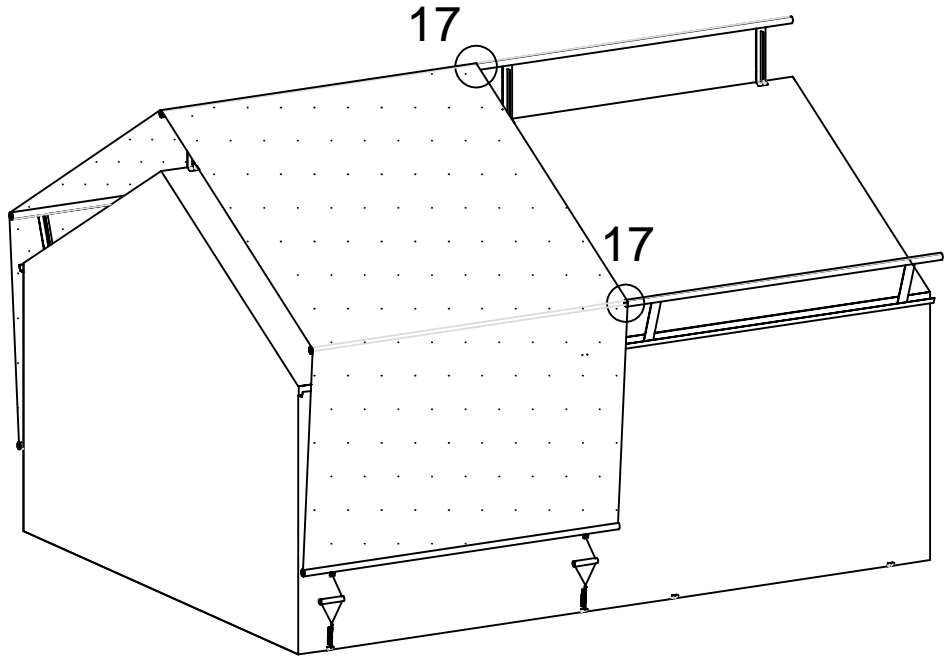
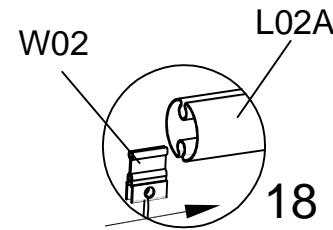
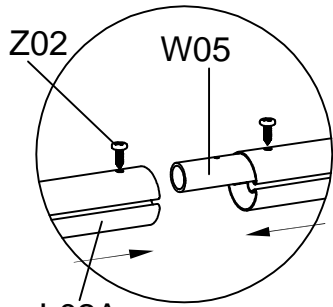
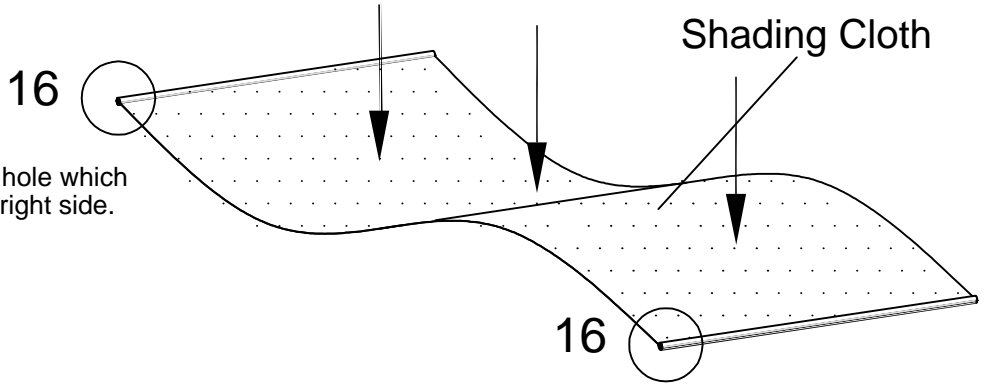
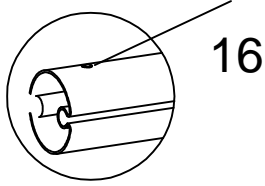
At the base of the Greenhouse place a W01 300mm from the back of the Greenhouse and place another at 1725mm. Predrill the holes using a 6mm diameter drill and screw fix the brackets in place being careful not to over tighten. Repeat the process on the opposite side of Greenhouse.



Ensure the screws (Z02) are facing inwards to prevent the shading material from rubbing on the heads of the screws.

**IMPORTANT!**

Pay attention to this small hole which should face up and to the right side.



Insert the W02 part into L02A at each end of the shading rod. Then assemble the rope and spring tensioner to hold the shade cloth firmly in place. It is important the shading material is taut over the Greenhouse. Repeat the process on the opposite side of Greenhouse.

PLEASE NOTE: If your Grange Greenhouse exceeds 4mL and requires additional 2mL Shading modules the W05 joiners are not provided. It is only necessary to join each 4m section.