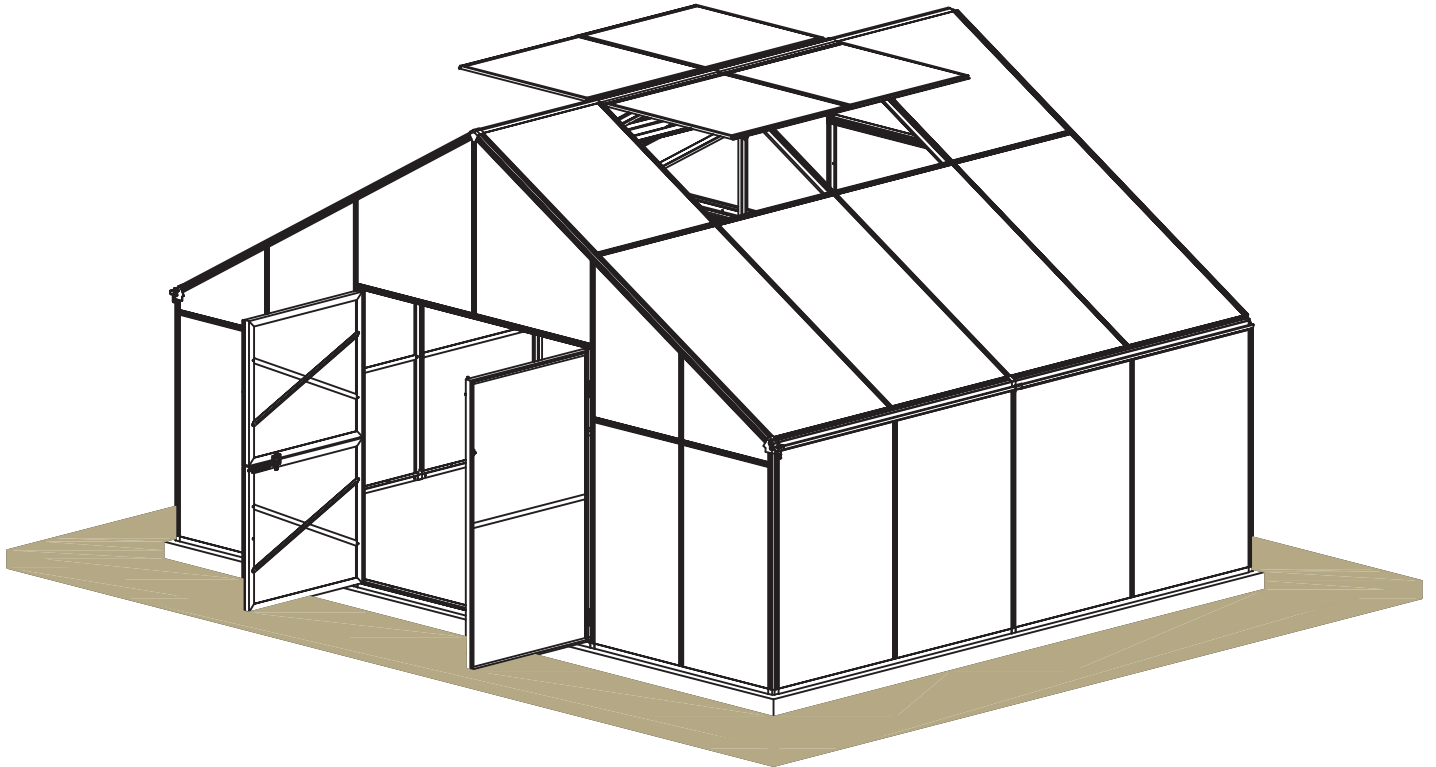


# GROW MORE Greenhouses

## Assembly Instructions



**MODEL: GM16**

**GREENHOUSE SIZE:** 13' 3 7/8"L x 16' 7 3/16"W x 9'11"H  
406cm L x 506cm W x 302cm H

**EXTENSION SIZE:** 6'6 3/4"L x 16' 7 3/16"W x 9'11"H  
200cm L x 506cm W x 302cm H

**PLEASE READ INSTRUCTIONS CAREFULLY BEFORE ASSEMBLY**

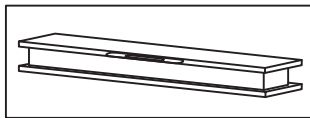
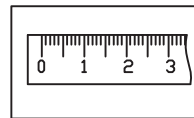
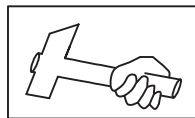
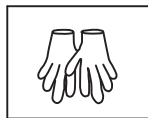
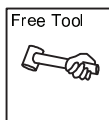
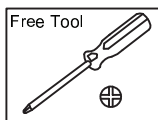
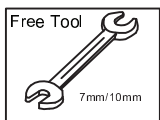
| Item No. | Model No. | Packing List                  |                               |                               |                               |                               |                                |
|----------|-----------|-------------------------------|-------------------------------|-------------------------------|-------------------------------|-------------------------------|--------------------------------|
|          |           | AL No.1                       | AL No.2                       | AL No.3                       | AL No.4                       | PC No.1                       | PC No.2                        |
| 2553300  | GM16      | 1CTN <input type="checkbox"/> | 1CTN <input type="checkbox"/> | 1CTN <input type="checkbox"/> | 1CTN <input type="checkbox"/> | 1CTN <input type="checkbox"/> | 2CTNS <input type="checkbox"/> |
| 2553350  | GM16 ext  |                               |                               |                               | 1CTN <input type="checkbox"/> |                               | 1CTN <input type="checkbox"/>  |

# CONTENTS

|                                     |              |
|-------------------------------------|--------------|
| 1. Assembly Advice .....            | Page 1       |
| 2. Product Features .....           | Page 1 - 2   |
| 3. Parts List .....                 | Page 3 - 6   |
| 4. Base Assembly .....              | Page 7 - 10  |
| 5. Door Assembly .....              | Page 11 - 13 |
| 6. Roof Vent Assembly .....         | Page 14      |
| 7. Framework & Panel Assembly ..... | Page 15-40   |

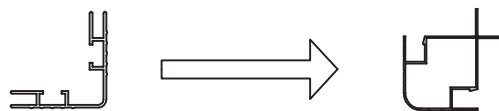
## Assembly and Maintenance Advice

1. For safety purposes, we strongly recommend that this product is assembled by at least two people.
2. Some components have sharp metal edges. Please be careful when handling metal components. Please wear gloves, shoes and safety goggles during assembly.
3. Lay all of the components on a soft carpet or blanket to avoid any scratches or damages.
4. DO NOT climb or stand on the roof. Heavy articles should not be leaned against the greenhouse.
5. Keep the roof and gutter clear of snow, dirt & leaves. Allowing snow to build up on the roof may damage the product.
6. Unlike steel, if the paint finish is scratched this will not harm the aluminium underneath.
7. When your product needs cleaning, use a mild detergent solution and rinse with cold clean water. Do not use acetone, abrasive cleaners or strong detergents to clean the panels.

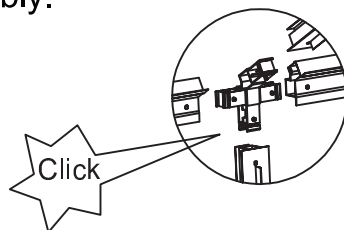


## Functions and Features:

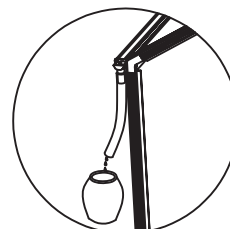
1. Compared with traditional greenhouses this exciting product features many significant improvements. The hollow box profile aluminium framing is much stronger than other greenhouses and it can withstand much greater pressure.



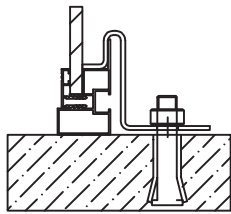
2. Easy and fast assembly.



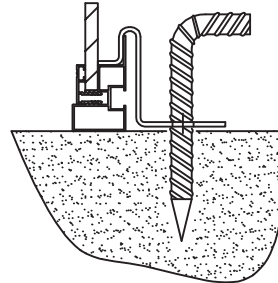
3. The strong two part eaves beam includes an integral gutter. Downpipes are also included as standard so you can collect rainwater.



- The greenhouse can be easily extended at any stage in 2m long sections as detailed in the table of Front Page.
- Base anchor brackets are included as standard with expanding bolts to ensure a secure fixing into concrete or paving. Alternatively, you can use the brackets to fix into a timber base with wood screws (not provided).

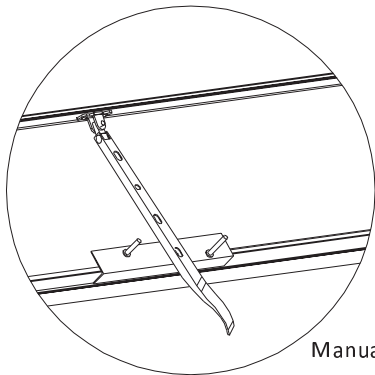


Expansion bolt in concrete

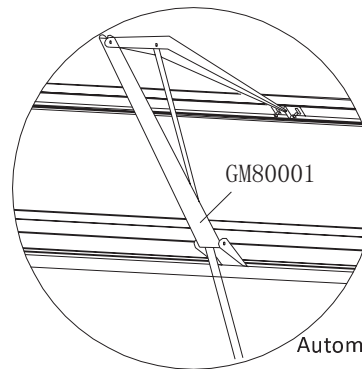


Steel pegs in soil

- Manual window handles are included as standard with the roof vents. If required, automatic roof vent openers are available as an inexpensive optional extra.

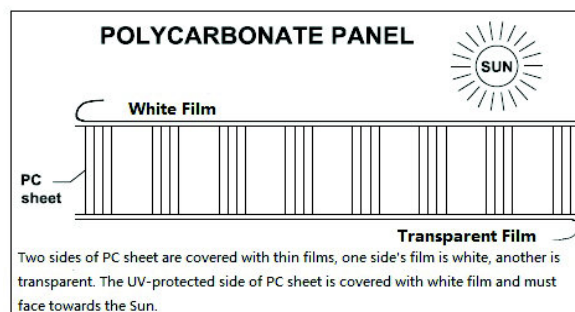


Manual opener







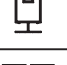

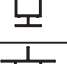

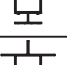

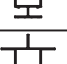
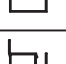
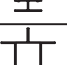
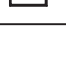
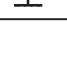


Automatic opener

- Please ensure the roof vents are not installed into the end roof bays of the greenhouse as this is where you need the bracing.
- Each Polycarbonate Panel comes with UV protected properties. Therefore, please ensure the white film is facing outward towards the sun (remove the film before installing into aluminium channel).





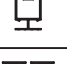

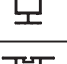
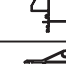
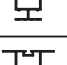



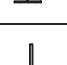



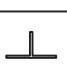





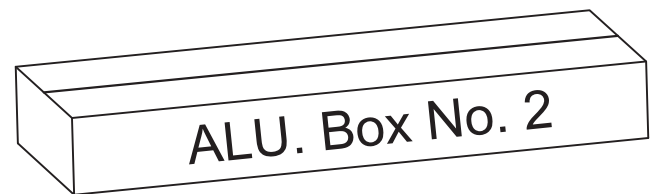
# GM32504 ALU. Box No.1

| PART  | NO.  | QTY. | PART  | NO.  | QTY. |
|---|------|------|---|------|------|
|  | L01A | 4    |  | L04A | 1    |
|  | L02C | 2    |  | L04C | 1    |
|  | L02D | 2    |  | L04D | 8    |
|  | L02F | 3    |  | L04E | 2    |
|  | L02G | 4    |  | L05A | 4    |
|  | L03C | 1    |  | L05B | 2    |
|  | L03D | 1    |  | L08A | 4    |
|  | L03E | 1    |  | L08B | 2    |
|  | L03F | 1    |   |      |      |












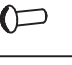


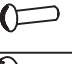











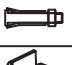















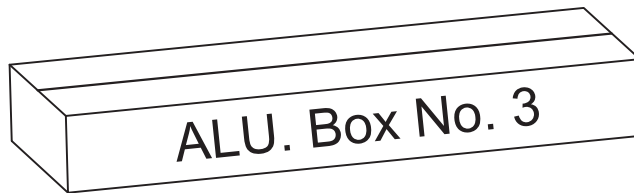
# GM32504 ALU. Box No.2

| PART  | NO.  | QTY. | PART  | NO.  | QTY. |
|---|------|------|---|------|------|
|  | L01B | 2    |  | L06  | 1    |
|  | L01C | 2    |  | L07  | 2    |
|  | L02A | 2    |  | L08B | 2    |
|  | L02B | 2    |  | L09  | 2    |
|  | L02E | 1    |  | L15A | 2    |
|  | L02F | 2    |  | L19  | 4    |
|  | L04B | 2    |  | L20  | 2    |
|  | L05B | 2    |  | L21  | 2    |
|  | L05C | 2    |  | L04E | 2    |
|  | L05D | 2    |  | L22  | 3    |














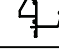


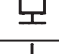



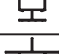



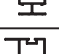


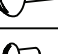



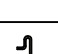

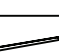






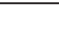


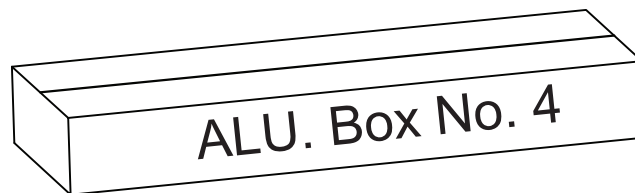
# GM32504 ALU. Box No.3

| PART   | NO.  | QTY. | PART   | NO.  | QTY. | PART  | NO.            | QTY. |
|--|------|------|--|------|------|---|----------------|------|
|   | L18A | 2    |   | A    | 2    |    | S01<br>M6X10   | 175  |
|   | L18B | 2    |   | B    | 2    |    | S02<br>M6X16   | 4    |
|   | L18C | 1    |   | C    | 4    |    | M01<br>M6      | 179  |
|   | L18D | 1    |   | D    | 2    |    | Z01<br>Ø5X15   | 26   |
|   | L18E | 2    |   | E    | 2    |    | Z02<br>Ø4X16D  | 26   |
|   | L18F | 1    |   | F    | 2    |    | Z03<br>Ø5X30   | 10   |
|   | L16A | 1    |   | J    | 12   |    | Z04<br>Ø4X10   | 14   |
|   | L16B | 1    |   | W01  | 10   |    | W05            | 14   |
|   | L16C | 1    |   | W04  | 1    |    | S03<br>M8X60   | 14   |
|   | L17  | 1    |   | W06  | 4    |    | J03R/L         | 2/2  |
|   | L05G | 4    |   | W08  | 2    |    | J04            | 4    |
|  | L05H | 4    |  | W08A | 2    |   | J01            | 2    |
|  |      |      |  |      |      |  | J02R/L         | 2/2  |
|  |      |      |  |      |      |  | J08            | 4    |
|  |      |      |  |      |      |  | W10            | 1    |
|  |      |      |  |      |      |  | S04<br>Ø3.2X10 | 4    |















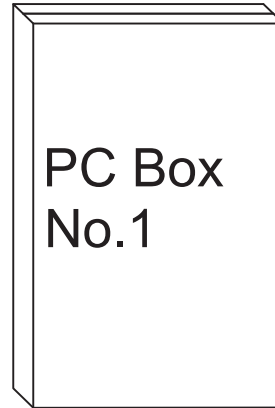
# GM32504 ALU. Box No.4 (2 Section Assembly)

| PART  | NO.  | QTY. | PART   | NO.  | QTY. | PART   | NO.  | QTY. | PART   | NO.           | QTY. |
|---|------|------|--|------|------|--|------|------|--|---------------|------|
|    | L02A | 2    |   | L06  | 1    |   | G    | 2    |   | J05           | 1    |
|    | L02B | 2    |   | L07  | 2    |   | H    | 1    |   | J06           | 2    |
|    | L02F | 2    |   | L08B | 2    |   | C    | 2    |   | S01<br>M6X10  | 86   |
|    | L02H | 2    |   | L09  | 2    |   | W02  | 2    |   | S02<br>M6X16  | 4    |
|    | L02K | 1    |   | L15A | 2    |   | W03  | 2    |   | M01<br>M6     | 90   |
|    | L03A | 2    |   | L19  | 4    |   | W07  | 2    |   | Z02<br>Ø4X16D | 12   |
|    | L03B | 2    |   | L20  | 2    |   | W06  | 4    |   | Z03<br>Ø5X30  | 8    |
|    | L04B | 2    |   | L21  | 2    |   | W08  | 2    |   | Z04<br>Ø4X10  | 8    |
|    | L05B | 2    |   | L04E | 2    |   | W08A | 2    |   | W05           | 4    |
|   | L05C | 2    |  | L22  | 3    |  | J04  | 2    |  | S03<br>M8X60  | 4    |
|  | L05D | 2    |  |      |      |  |      |      |  |               |      |







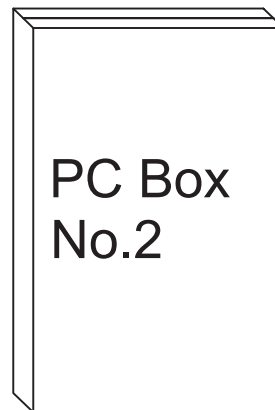
# GM32504 PC Box No.1

| PART   | NO. | QTY. |
|--|-----|------|
|   | Y1  | 2    |
|   | Y2  | 2    |
|   | Y3  | 1    |
|   | Y4  | 2    |
|   | Y5  | 1    |
|   | Y8  | 1    |
|   | Y11 | 2    |
|   | Y12 | 2    |
|   | Y13 | 1    |
|   | Y14 | 8    |
|   | Y15 | 2    |
|  | Y16 | 2    |

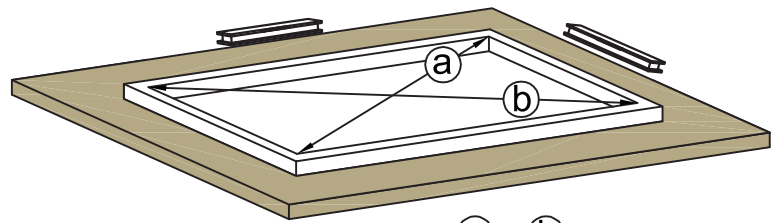
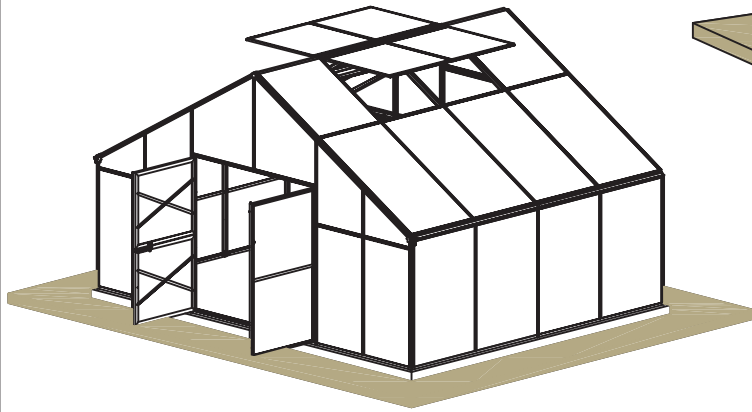


# GM32504 PC Box No.2 x 2PCS (2 Section Assembly)

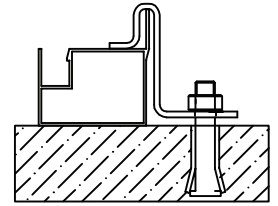
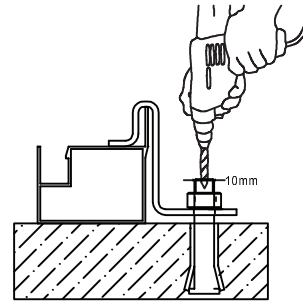
| PART  | NO. | QTY. |
|---|-----|------|
|  | Y6  | 4    |
|  | Y7  | 2    |
|  | Y9  | 4    |
|  | Y10 | 2    |





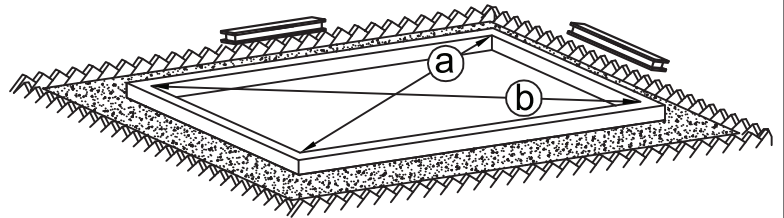
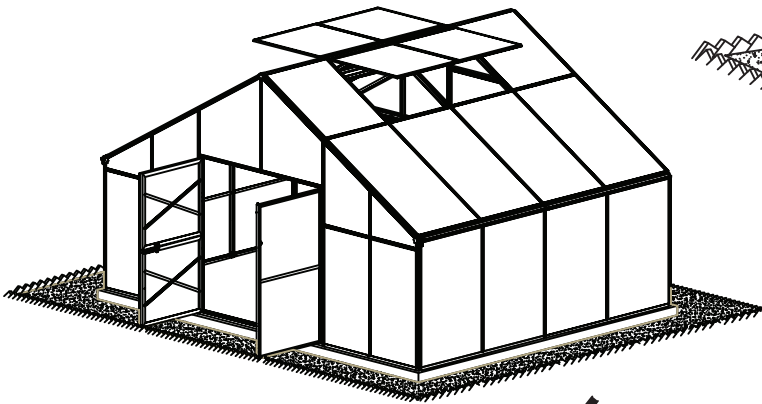


$a = b$

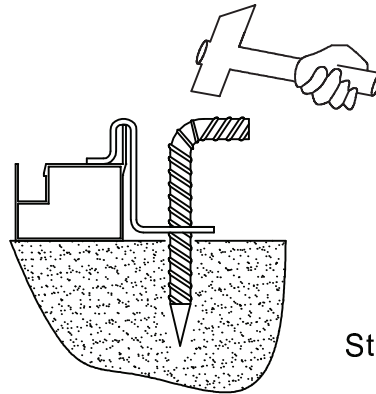


Expansion bolt  
in concrete

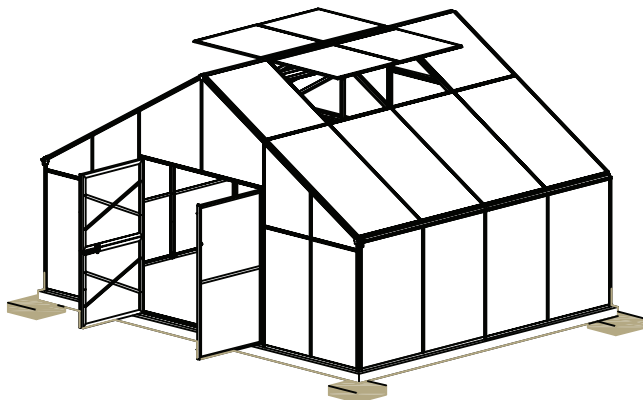
It is essential the dimensions  $a + b$  are the same to ensure the base is square.



$a = b$



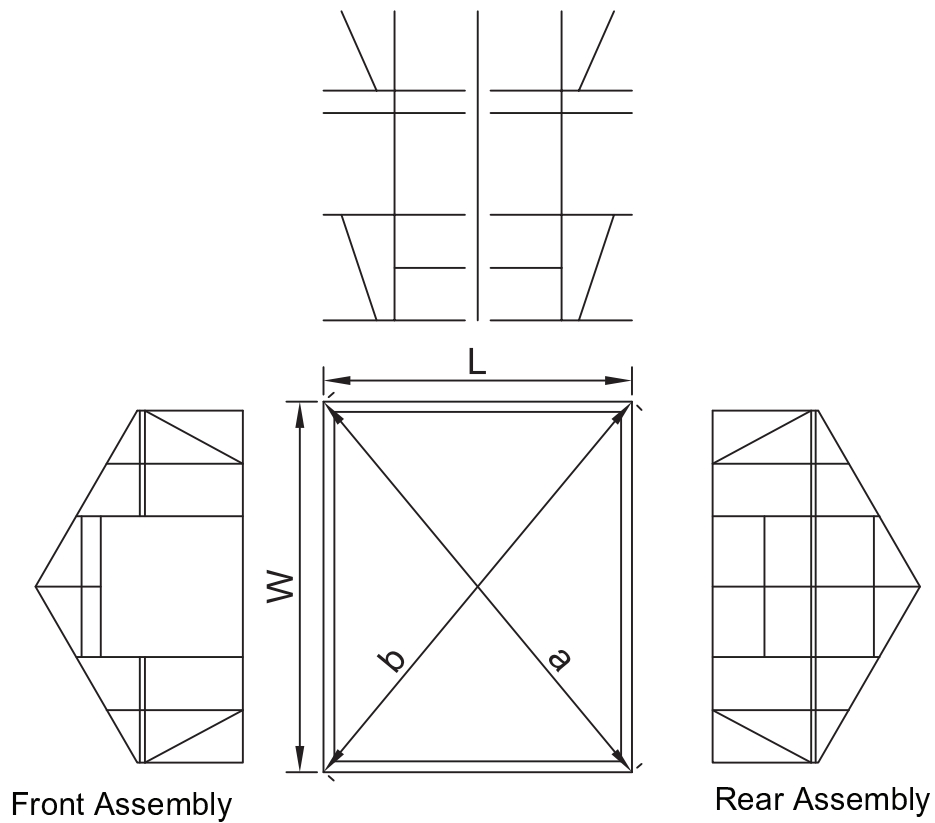
Steel pegs in soil



Support at the corners only is inadequate.

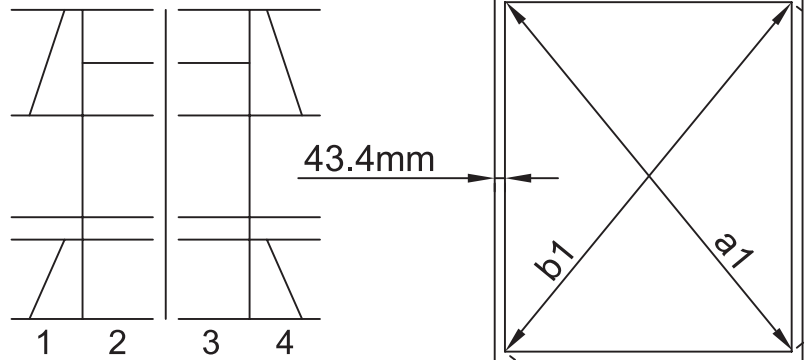


# GM10



Front Assembly

Rear Assembly

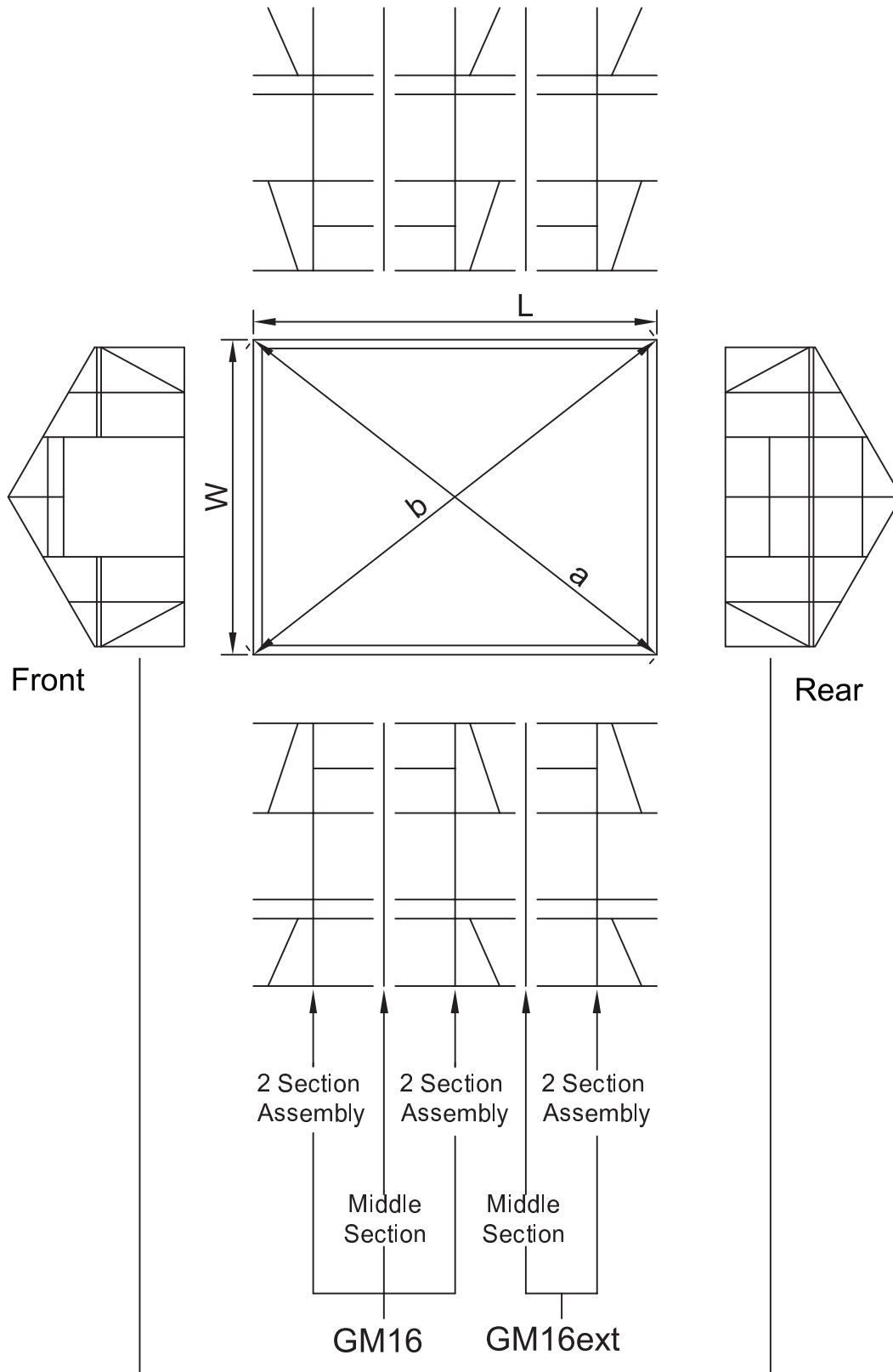


4 Section Assembly

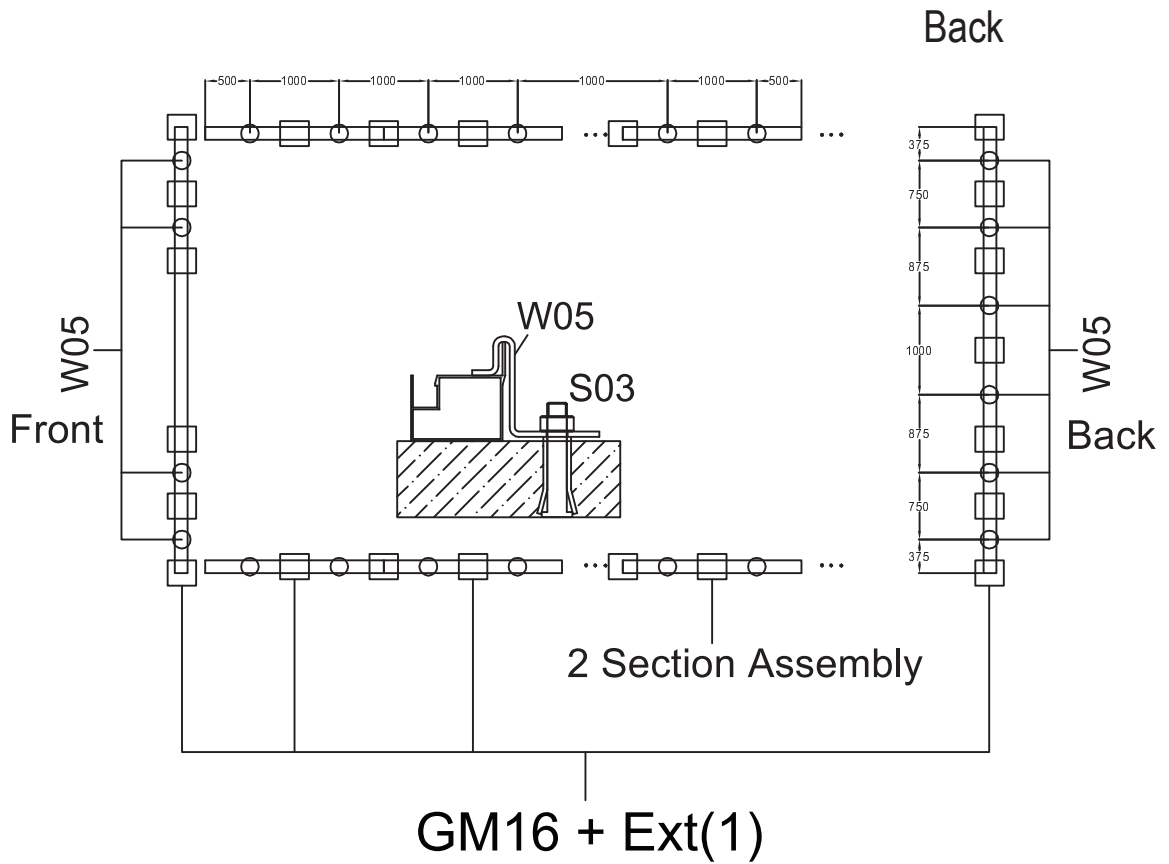
| Dim/Model | GM10   | GM10+Ext(1) | GM10+Ext(2) | GM10+Ext(3) | GM10+Ext(4) | GM10+Ext(5) | etc. |
|-----------|--------|-------------|-------------|-------------|-------------|-------------|------|
| W(mm)     | 5061.8 | 5061.8      | 5061.8      | 5061.8      | 5061.8      | 5061.8      |      |
| L (mm)    | 4059.8 | 6061.8      | 8063.8      | 10065.8     | 12067.8     | 14069.8     |      |
| a=b(mm)   | 6488.7 | 7897.3      | 9520.8      | 11266.9     | 13086.4     | 14952.6     |      |
| a1=b1(mm) | 6366.7 | 7775        | 9401.2      | 11150.4     | 12972.9     | 14841.7     |      |

- \* W= Outer Width of Base Profiles
- \* L= Outer Length of Base Profiles
- \* a=b= Outer Diagonal of Base Profiles
- \* a1=b1= Inner Diagonal of Base Profiles

# GM16+Ext(1)











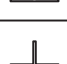









\* The basic model, GM16, can be easily extended by adding a '2 Section Assembly' each time for a longer size.

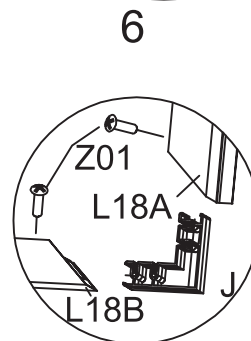
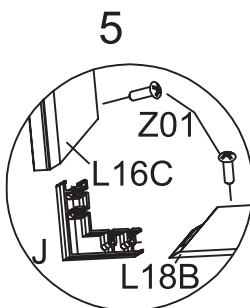
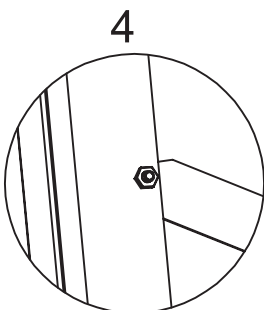
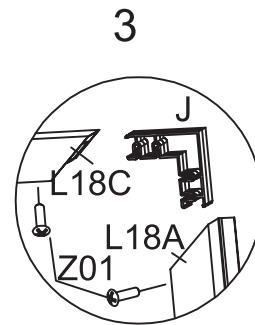
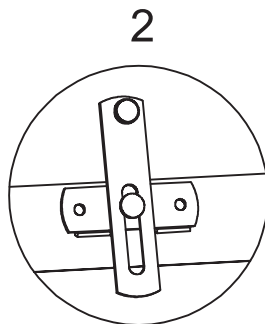
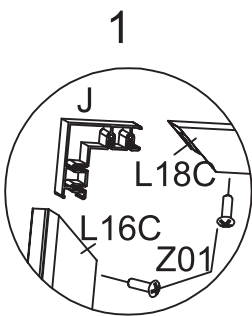
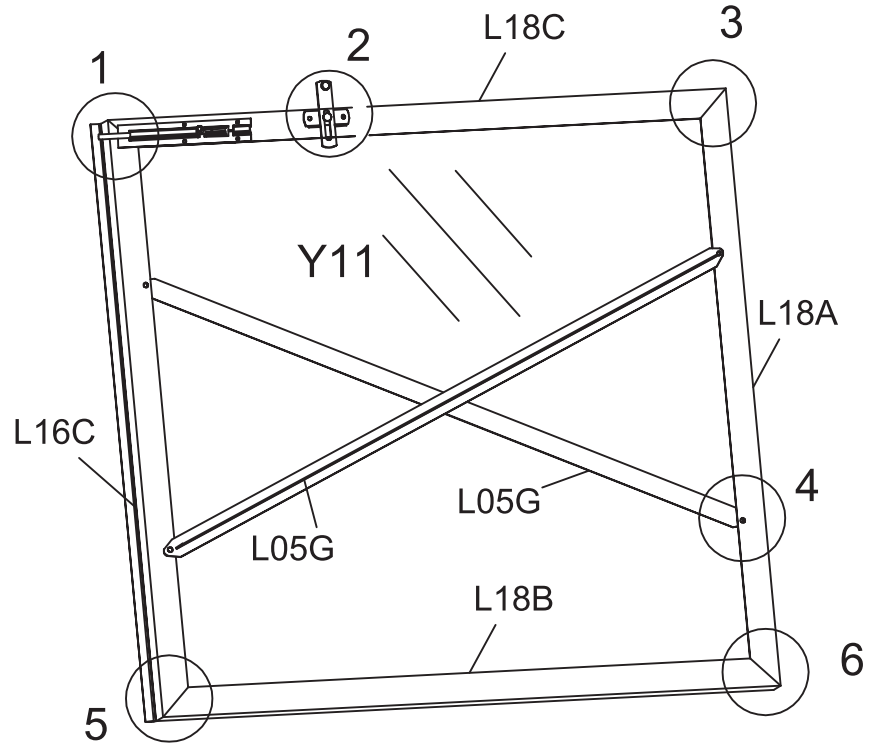


\* This shows a layout for W05's positions where it is placed in the middle of PC panel for each section.

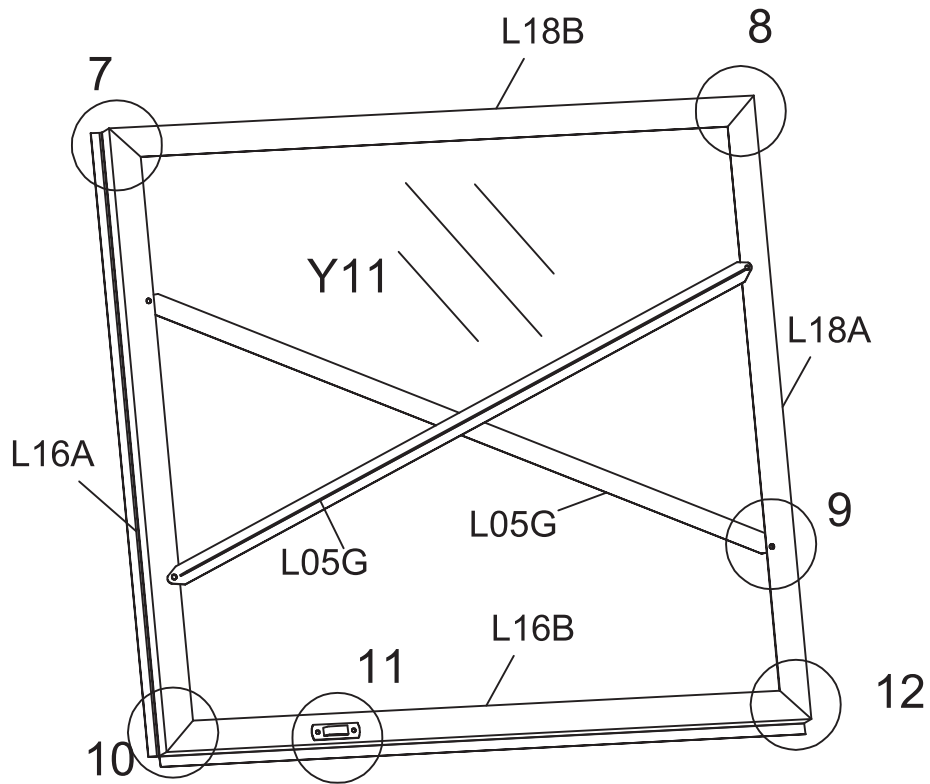
\* All measurements in above diagram are in mm.

| PART  | NO.          | QTY. |
|---|--------------|------|
|    | L18A         | 2    |
|    | L18B         | 2    |
|    | L18C         | 1    |
|    | L18D         | 1    |
|    | L18E         | 2    |
|    | L18F         | 1    |
|    | L16A         | 1    |
|    | L16B         | 1    |
|    | L16C         | 1    |
|    | L17          | 1    |
|    | L05G         | 4    |
|    | L05H         | 4    |
|   | J            | 12   |
|  | S01<br>M6X10 | 18   |
|  | M01<br>M6    | 18   |
|  | Z01<br>Ø5X15 | 24   |
|  | Y11          | 2    |
|  | Y12          | 2    |

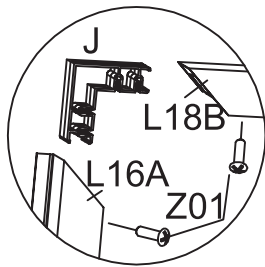
# Door1 Assembly



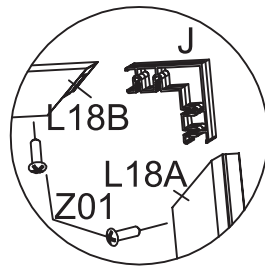
# Door2 Assembly



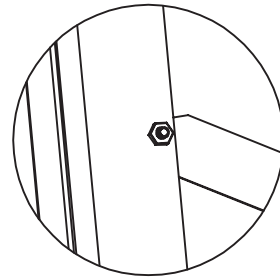
7



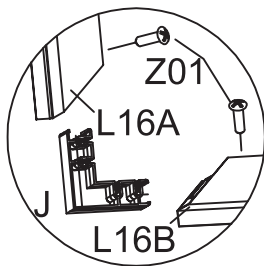
8



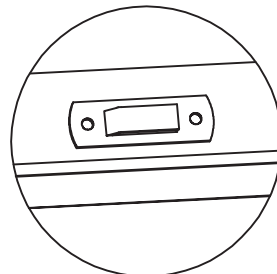
9



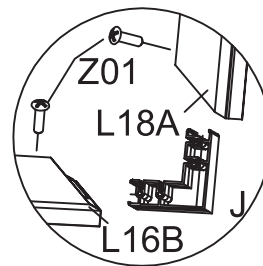
10



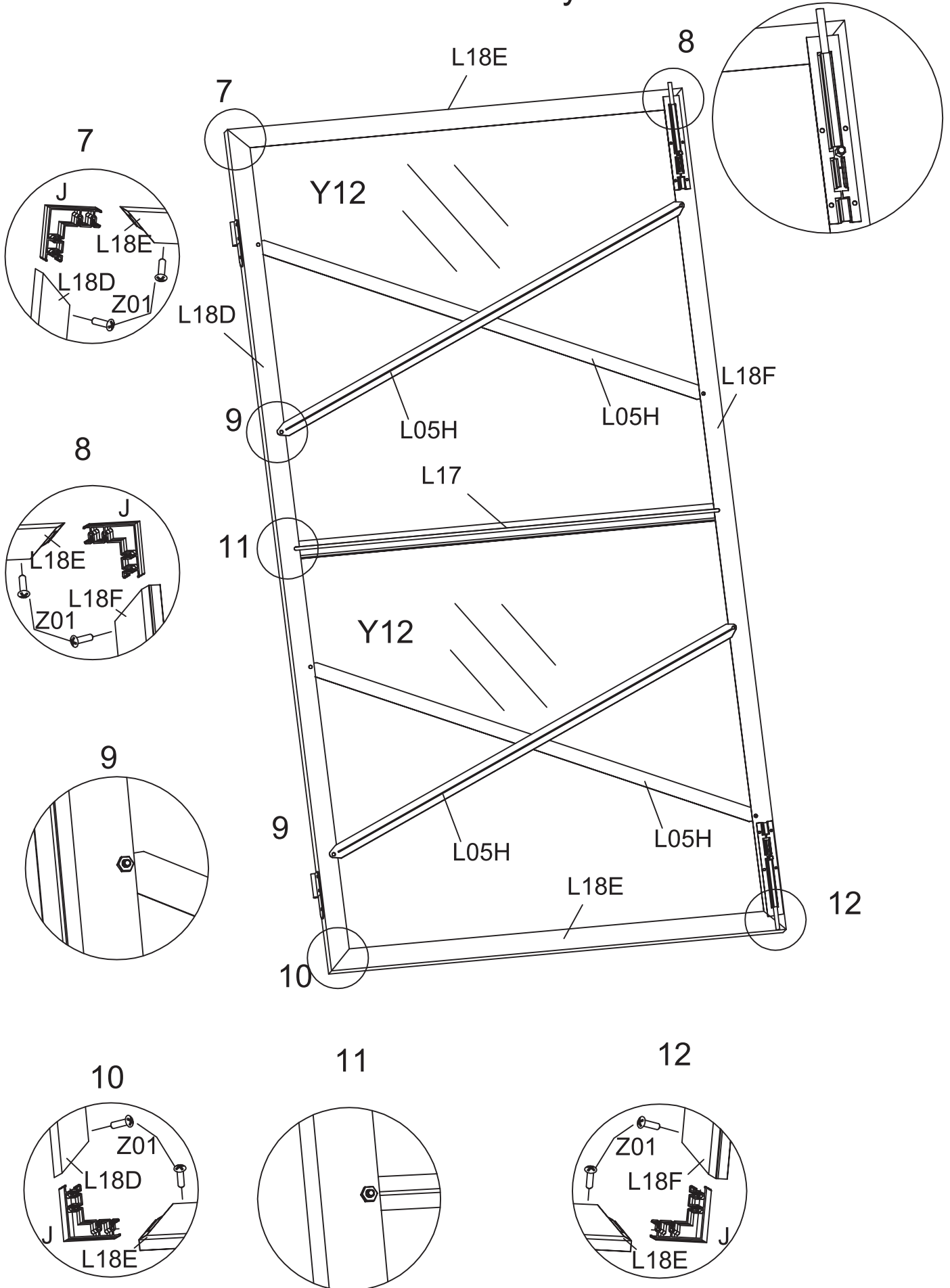
11








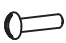




12

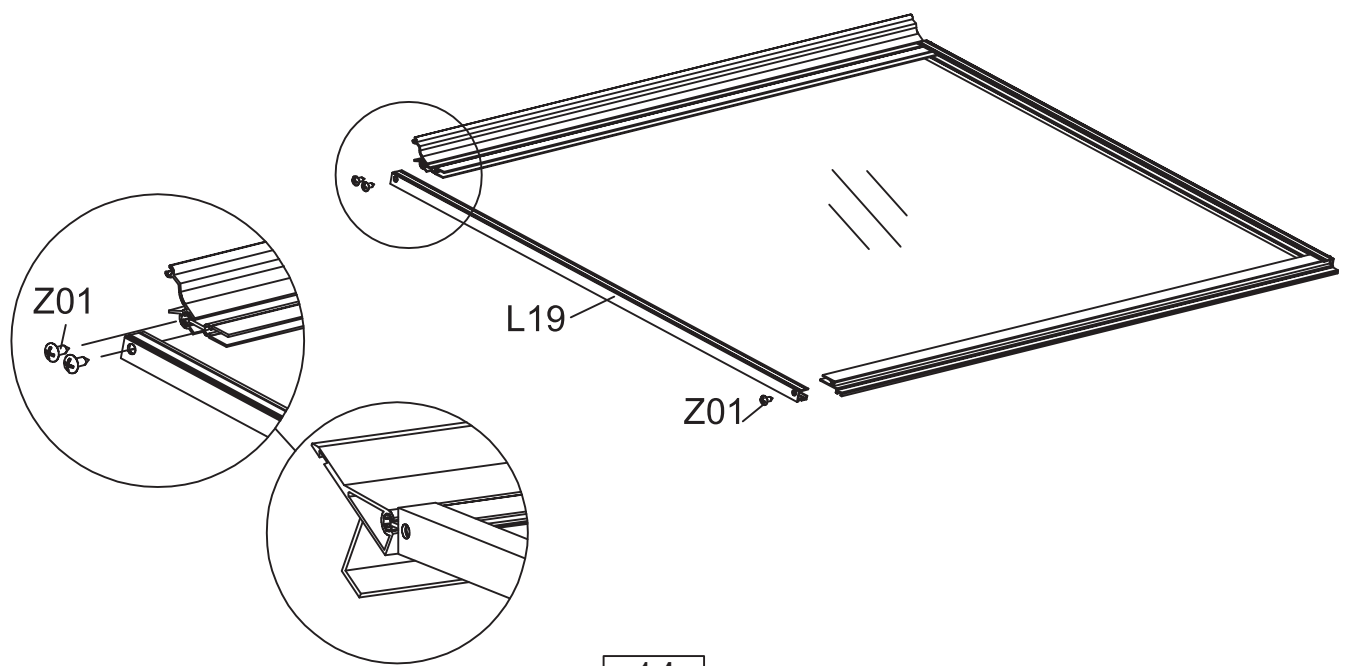
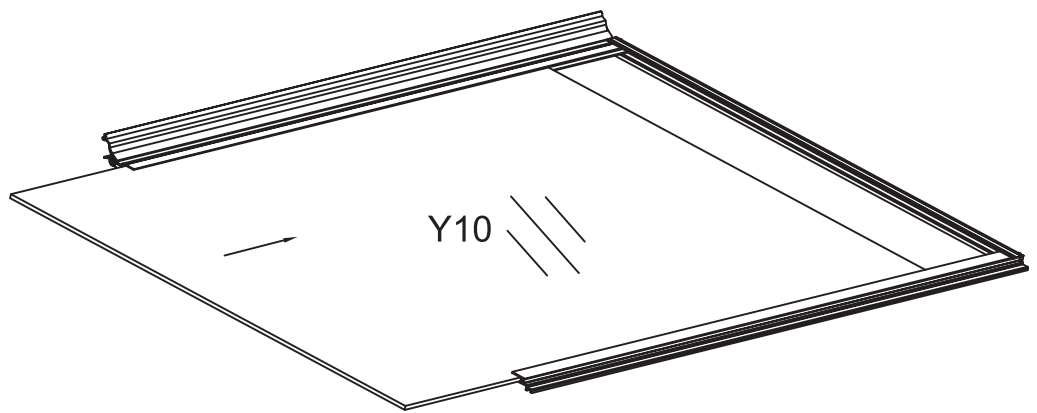
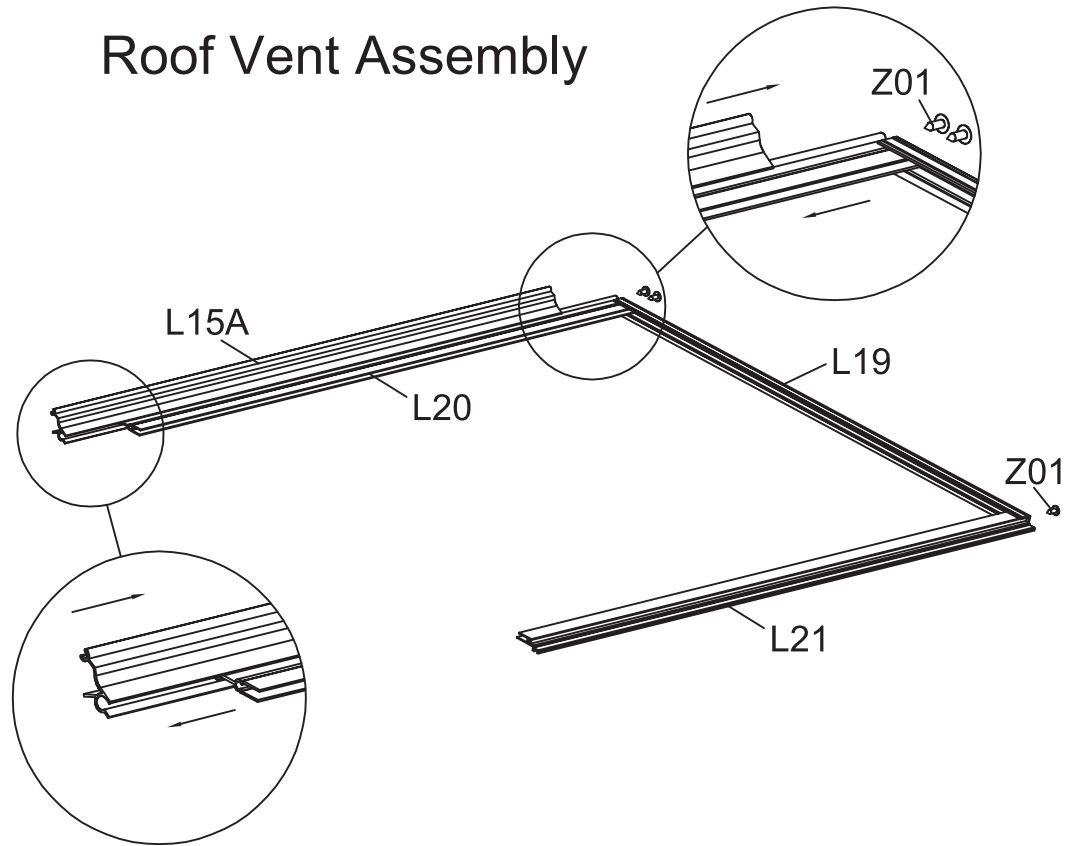


# Door3 Assembly

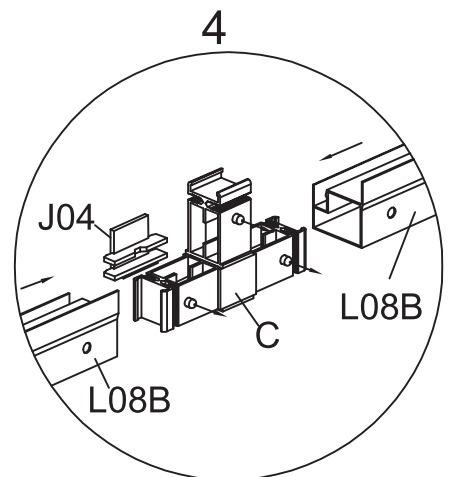
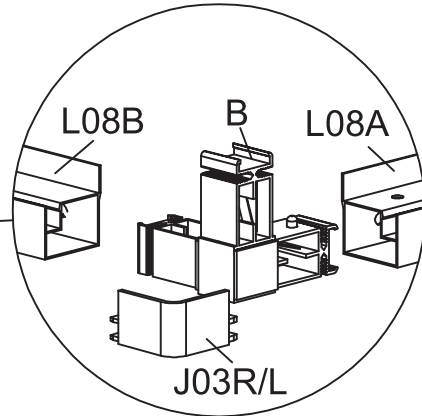
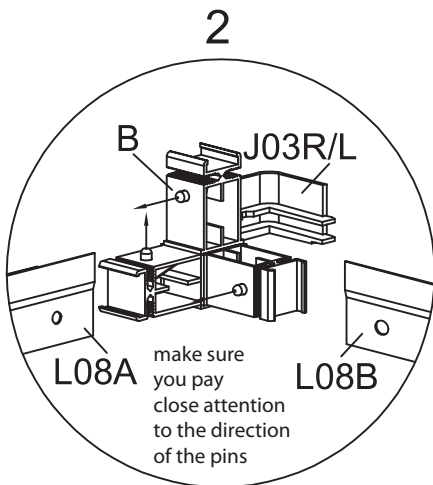
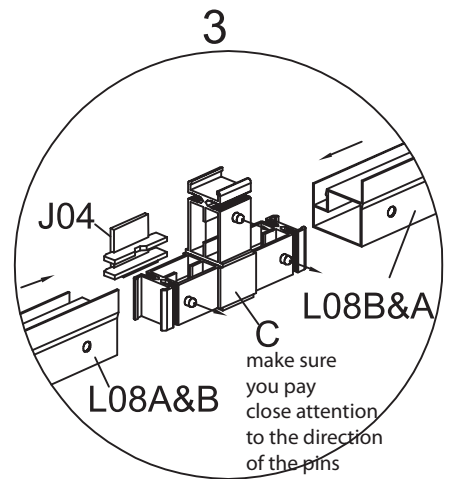
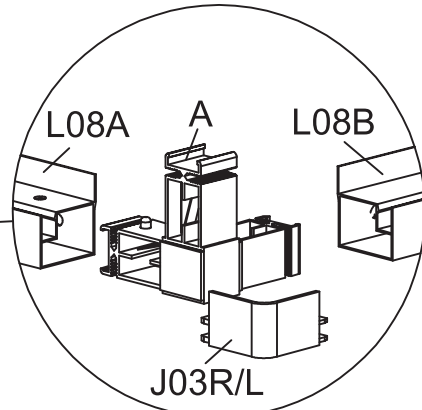
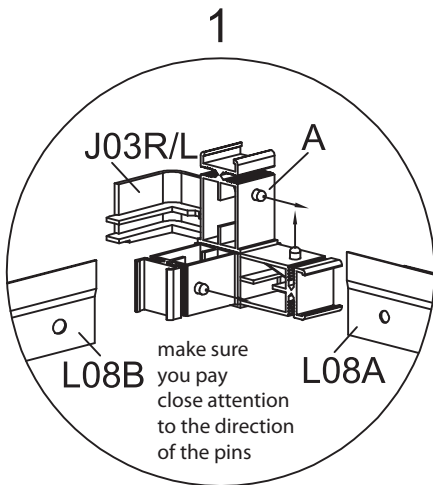
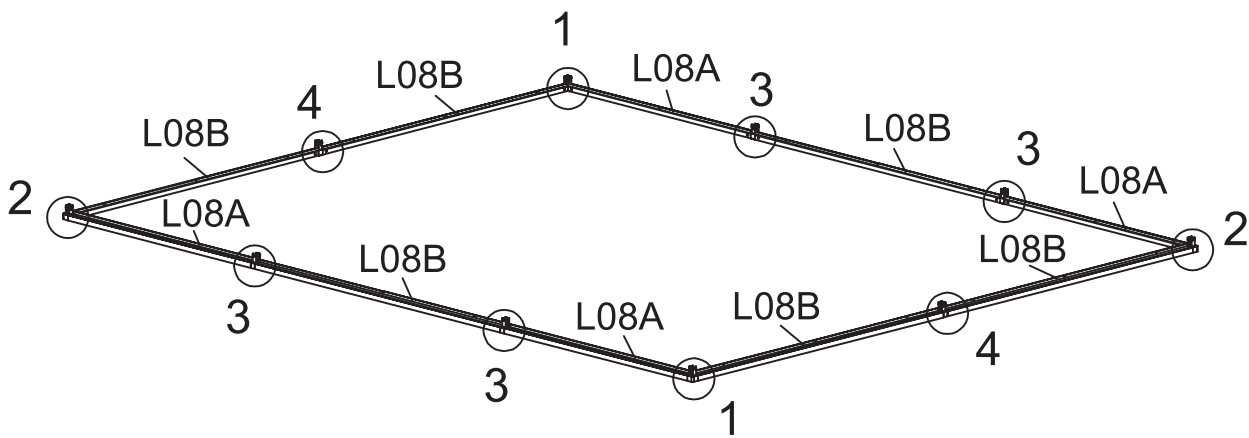


| PART  | NO.           | QTY. |
|---|---------------|------|
|   | L15A          | 1    |
|  | L19           | 2    |
|   | L20           | 1    |
|   | L21           | 1    |
|  | W06           | 4    |
|   | S02<br>M6X16  | 2    |
|   | M01<br>M6     | 2    |
|   | Z02<br>Ø4X16D | 6    |
|   | Z04<br>Ø4X10  | 4    |
|   | Y10           | 1    |

# Roof Vent Assembly

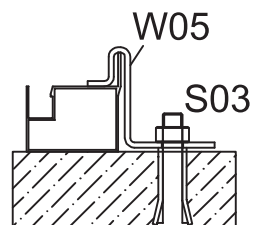


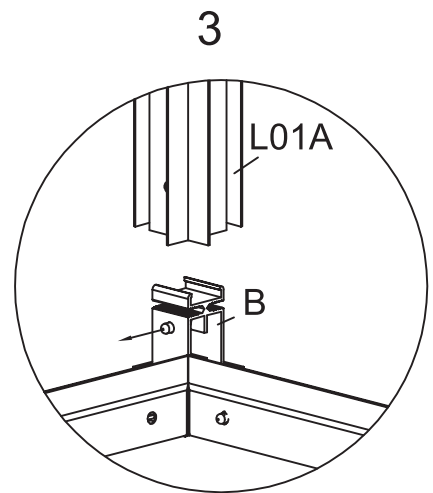
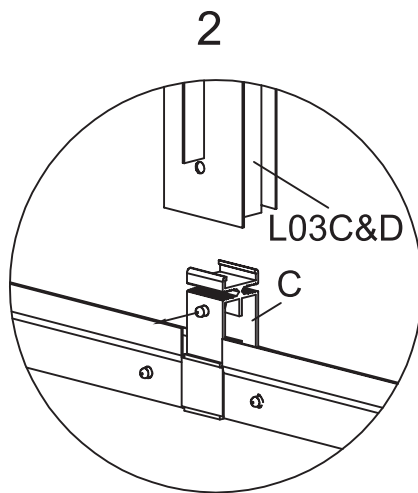
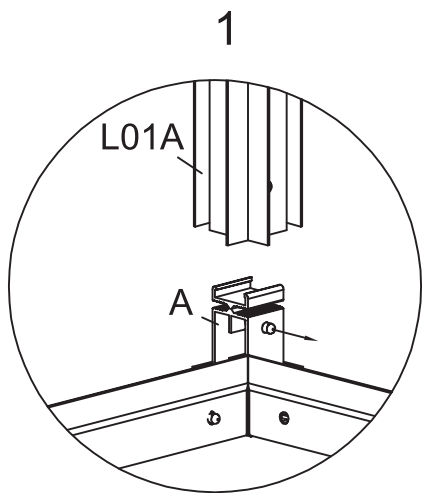
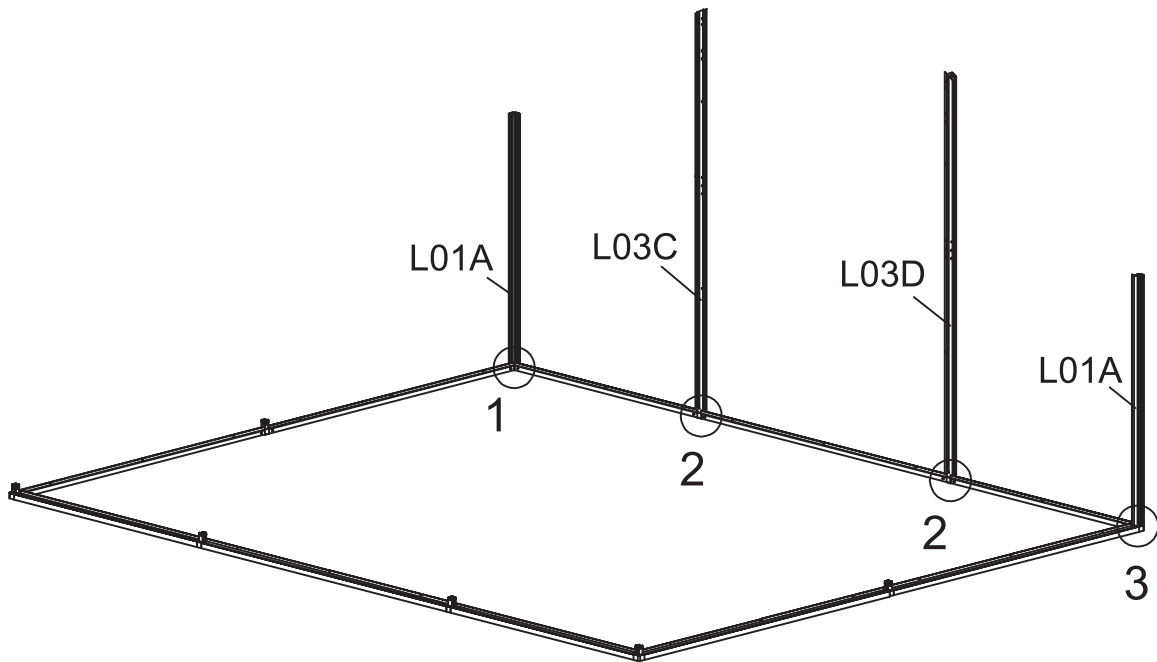




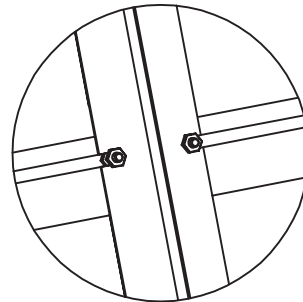
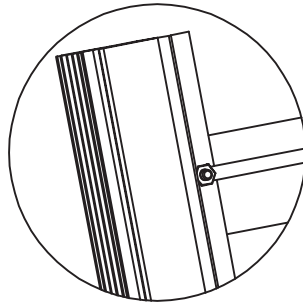
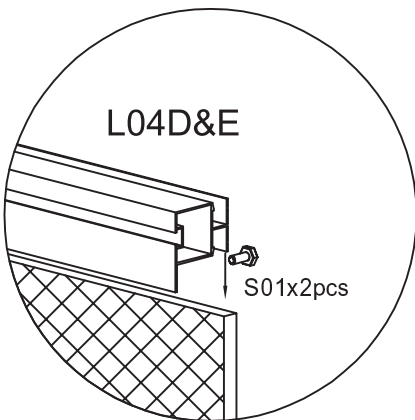
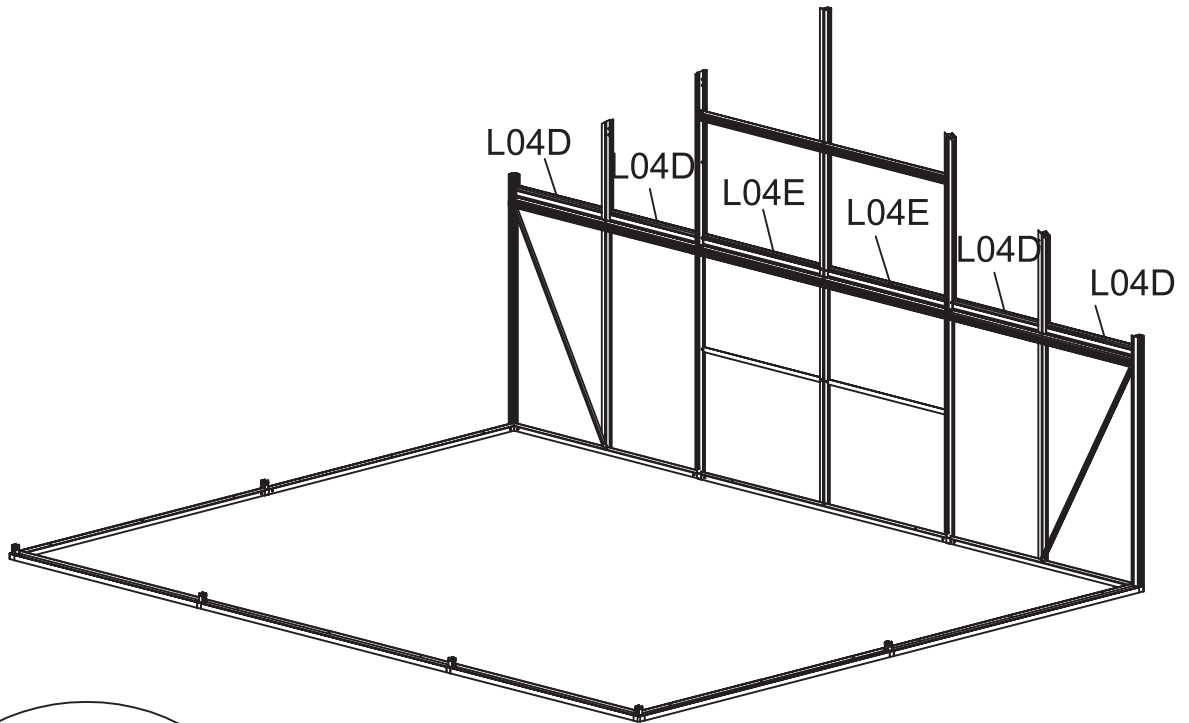
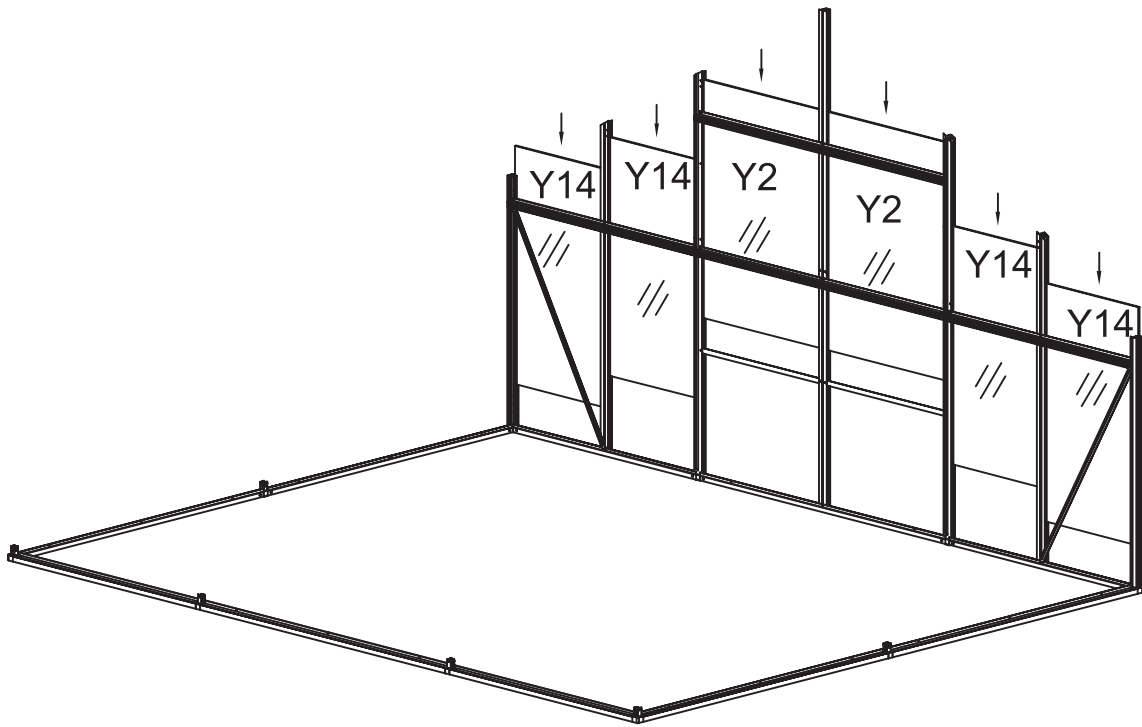
Assemble all W05 followed by previous Page 14 after each base profile is connected.

must connect all plastic parts (J04 and J03 R/L) before completing this step

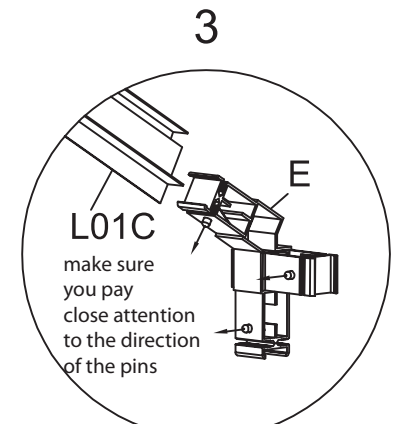
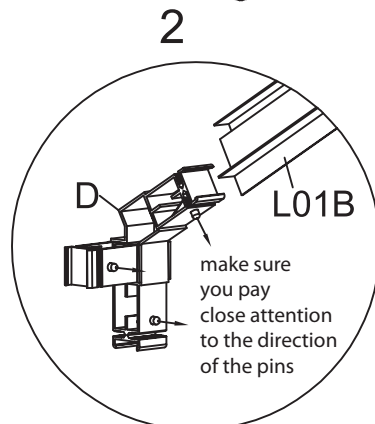
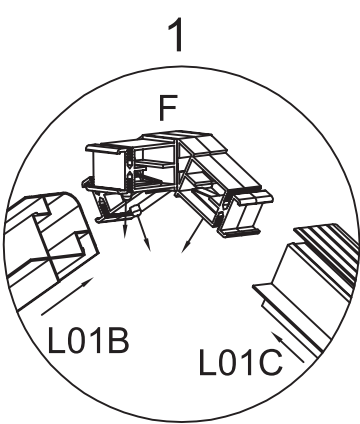
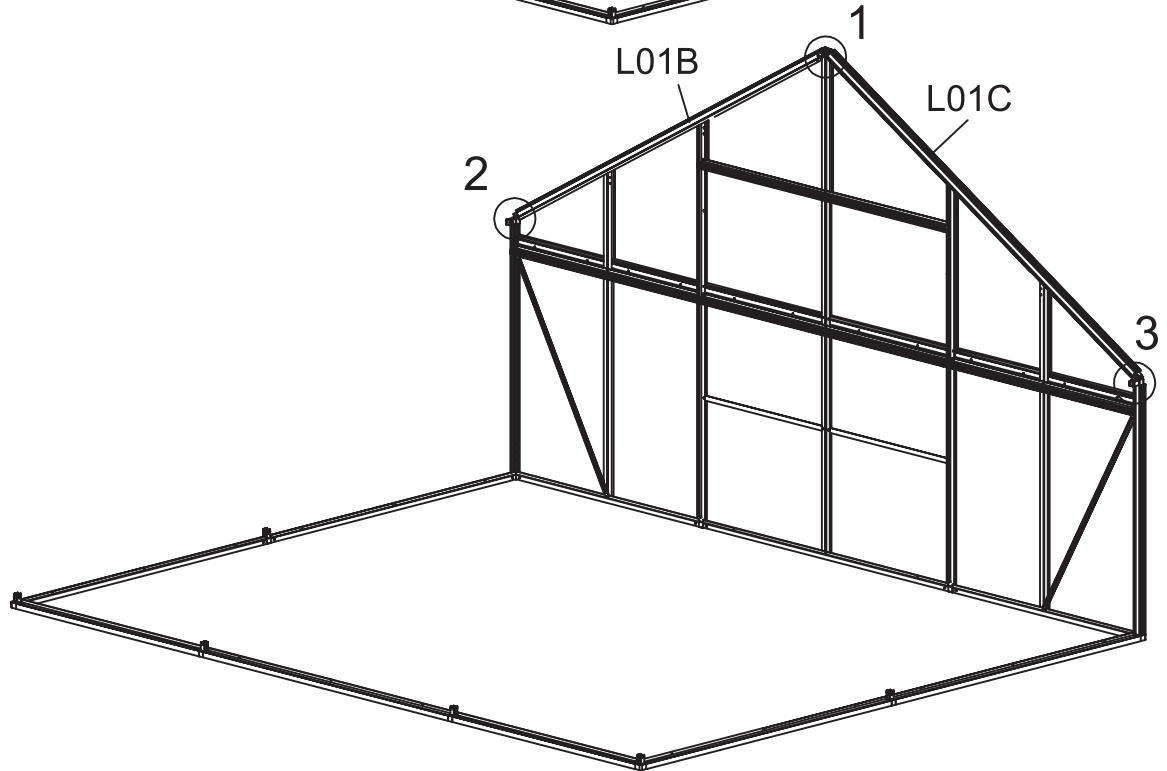
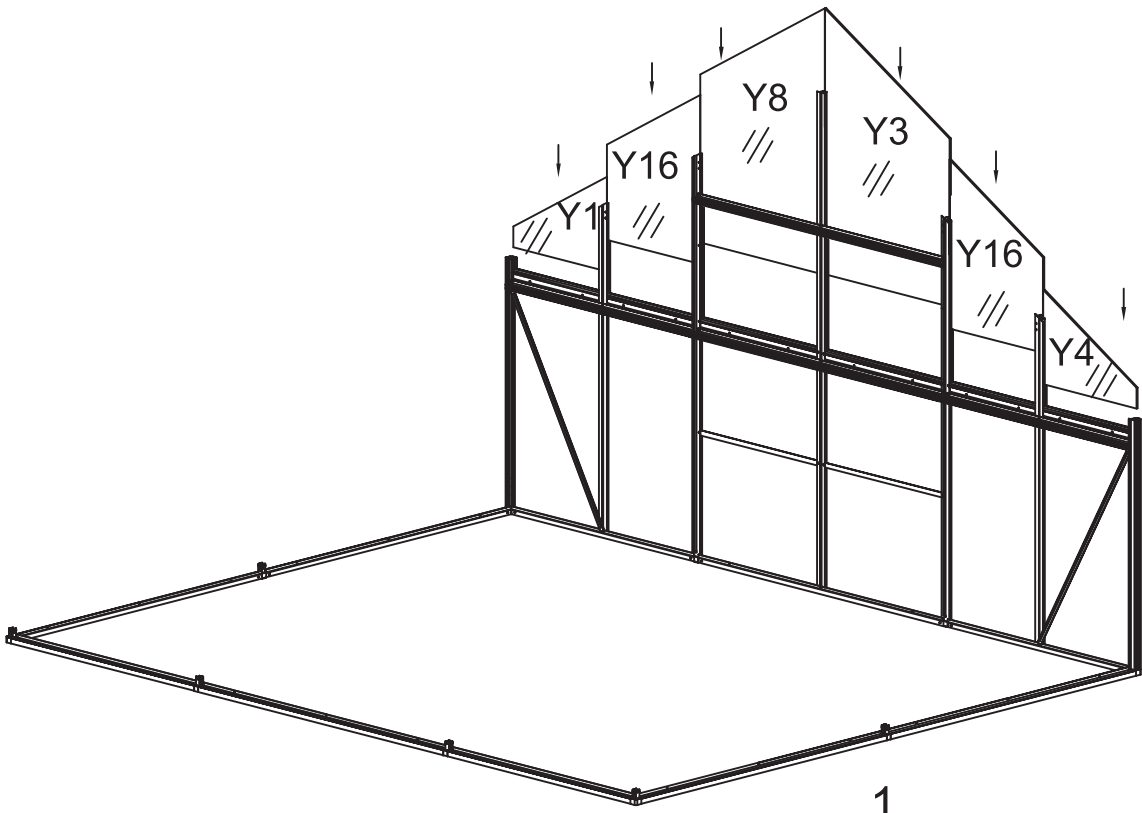


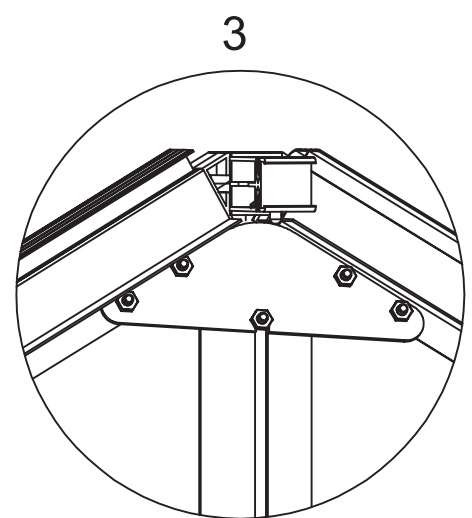
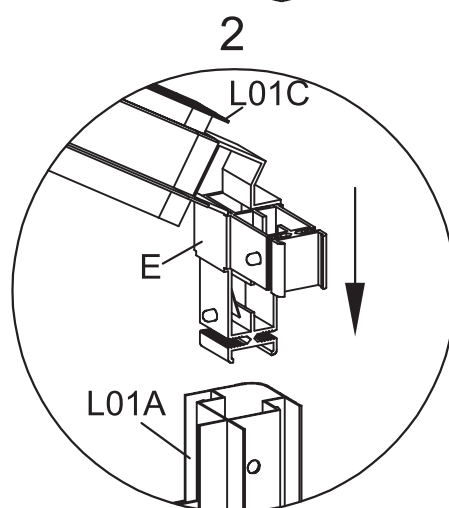
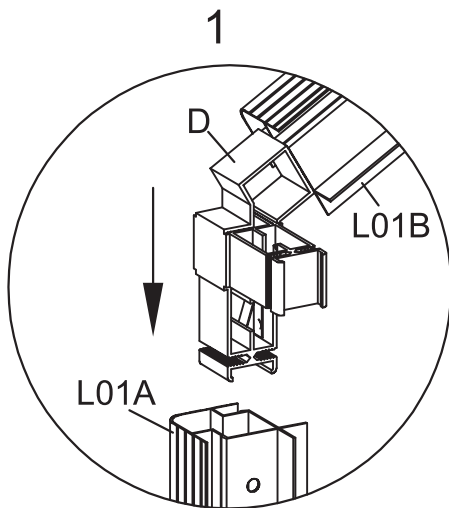
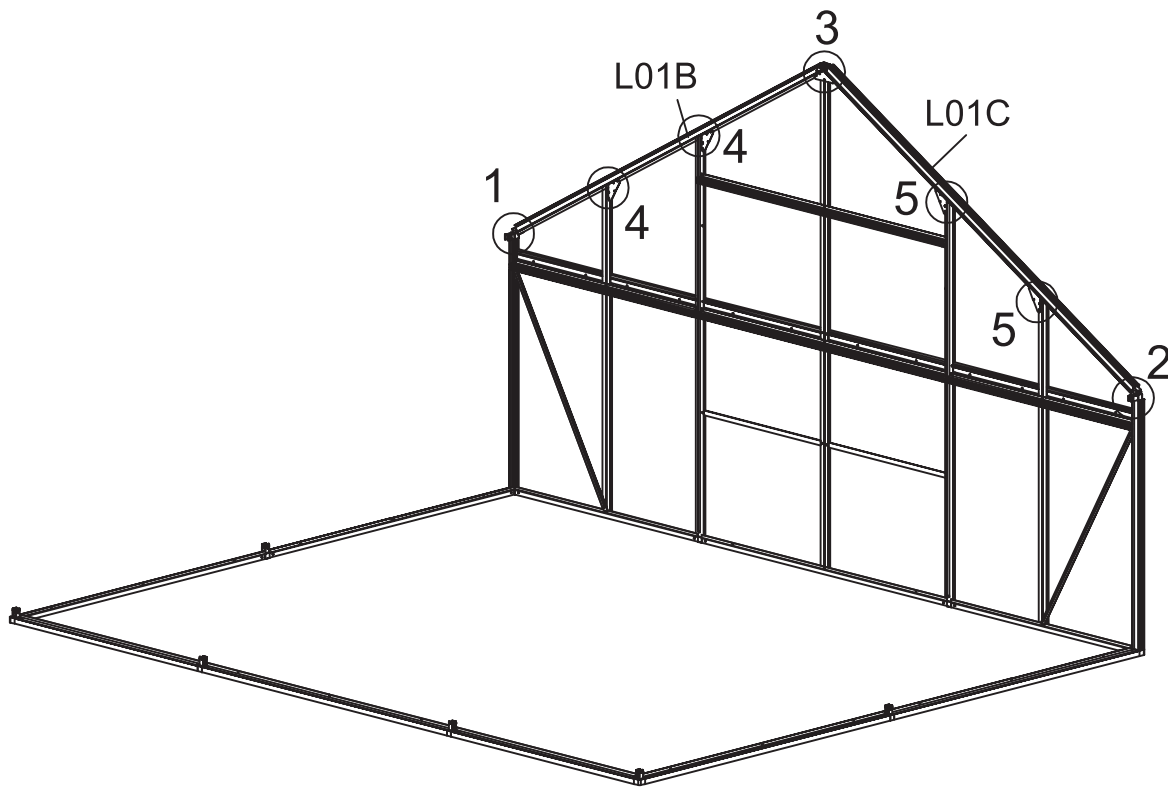




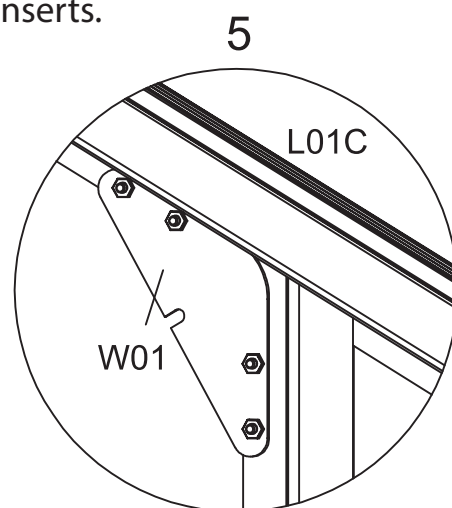
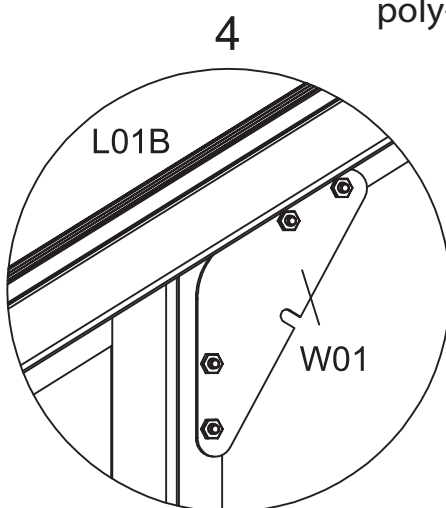


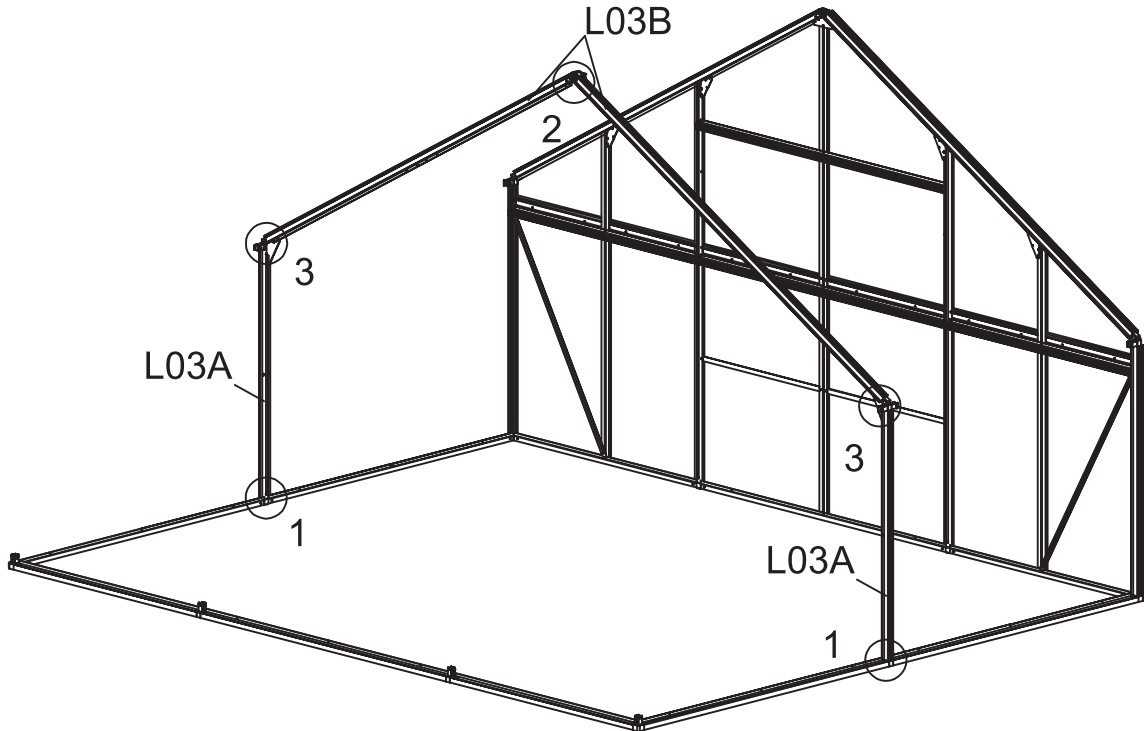
Slide 2 x S01 into each L04D & E, and put each profile onto the edge of each PC panel, then tighten all profiles at each end with S01.



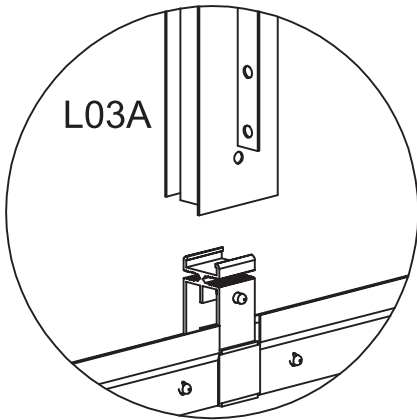


Note: please insert upper roof supports but, do not lock in place until you have aligned the poly-carbonate inserts.

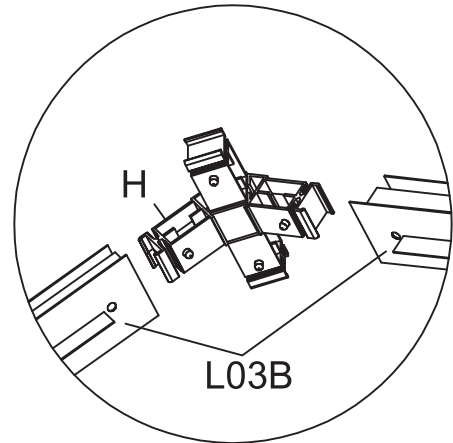




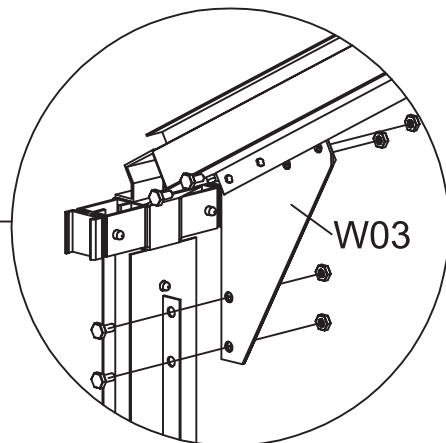
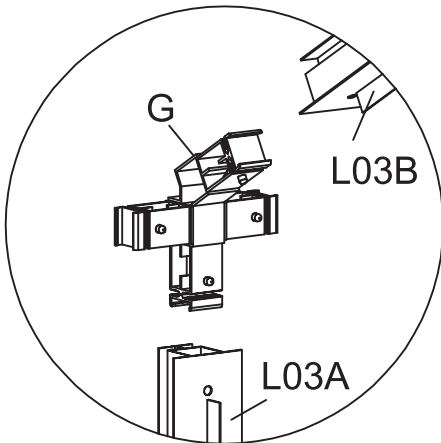
1

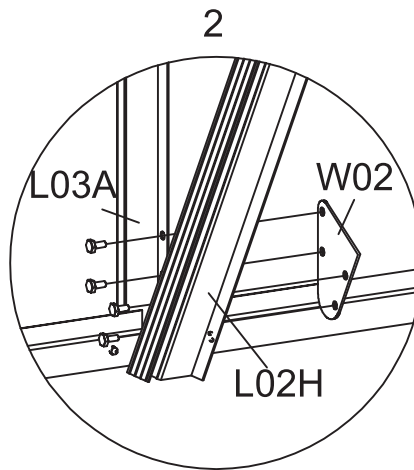
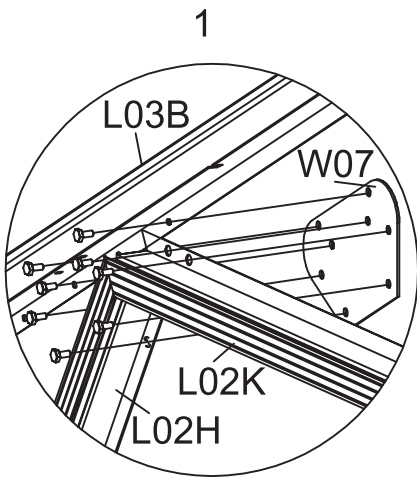
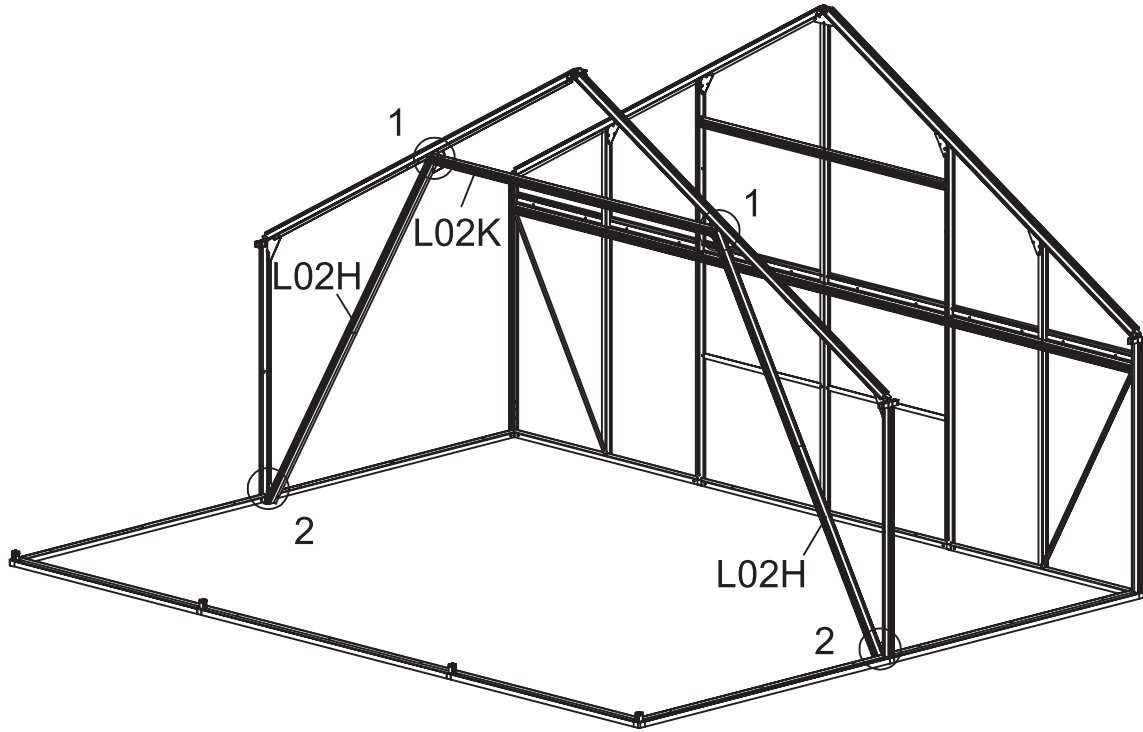


2

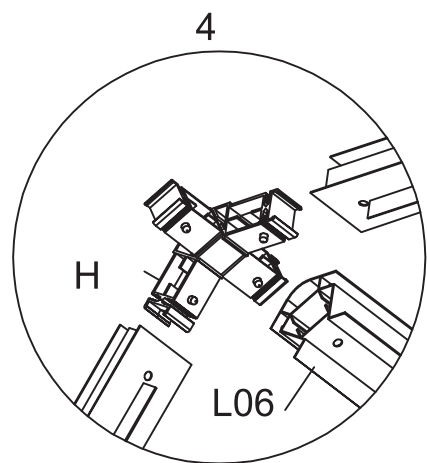
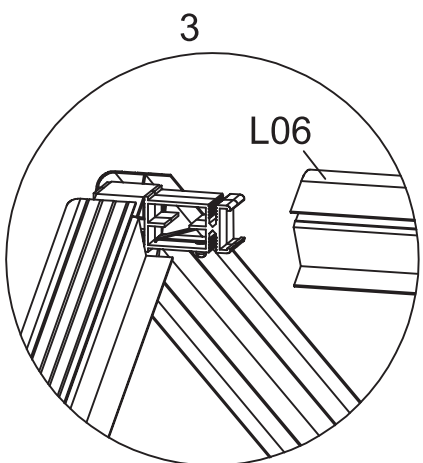
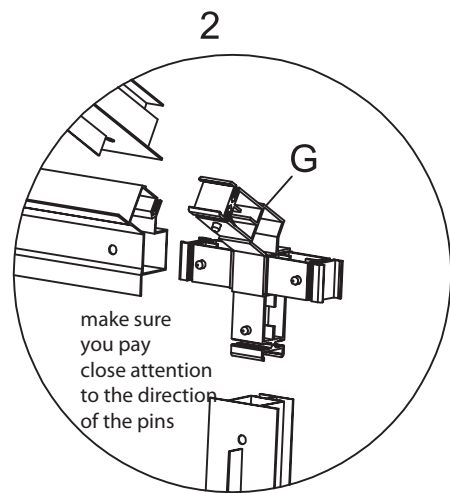
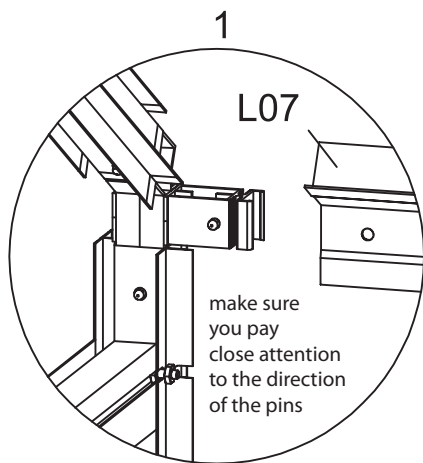
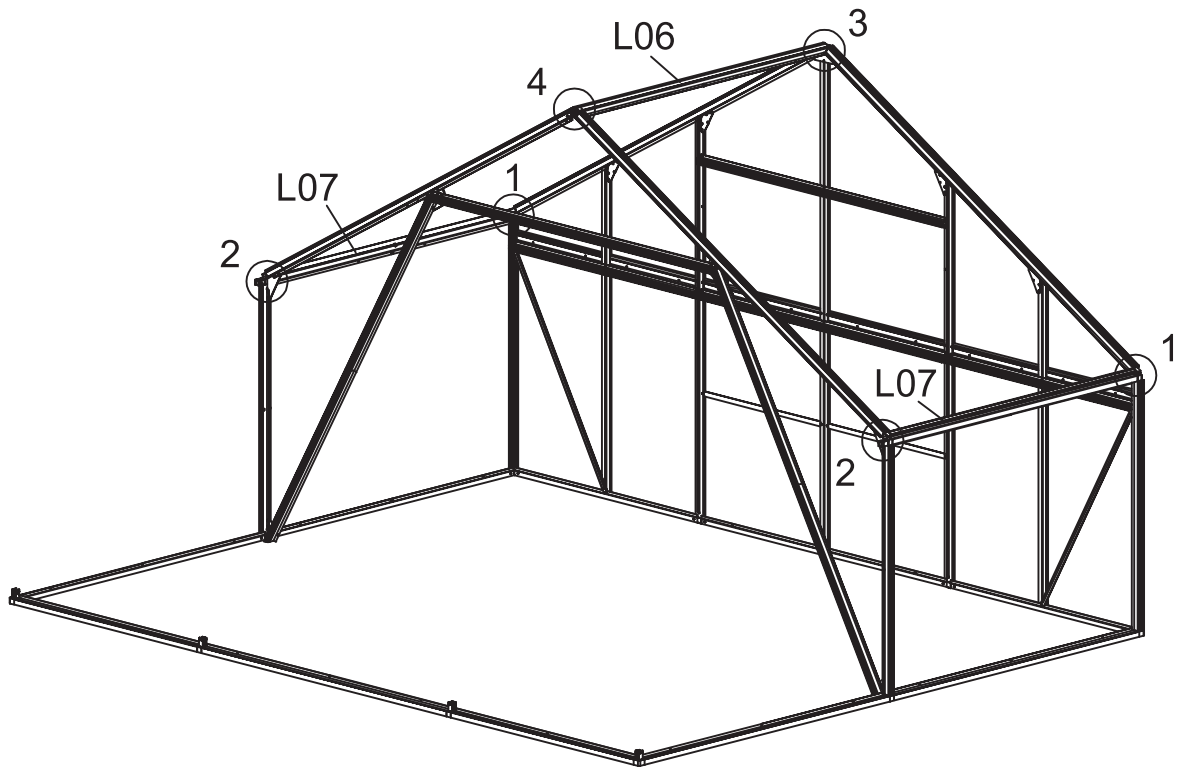


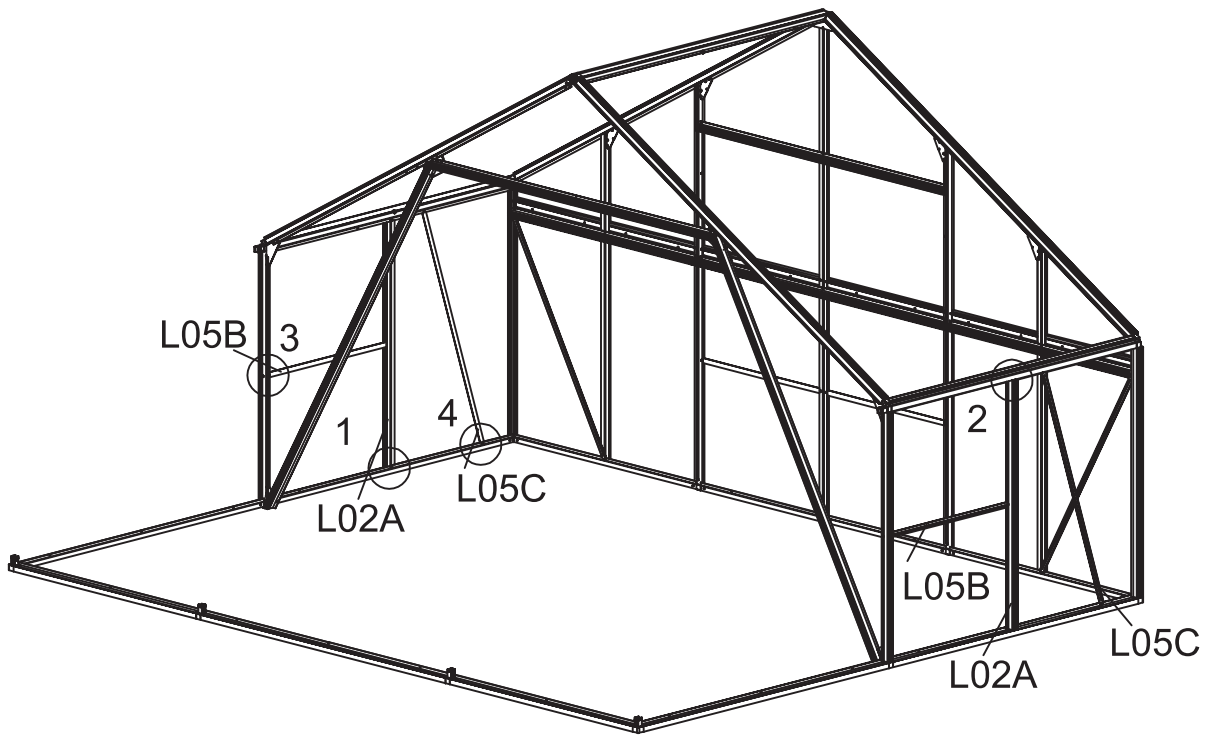
3



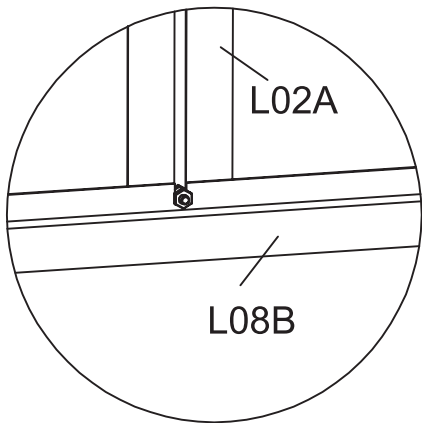




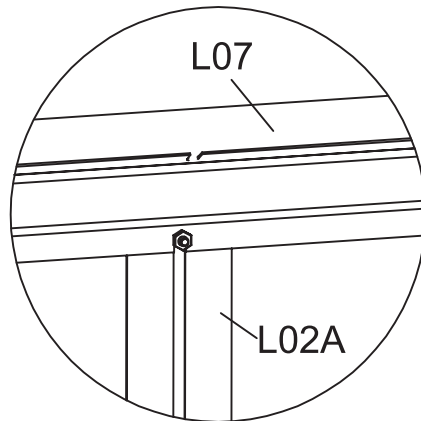




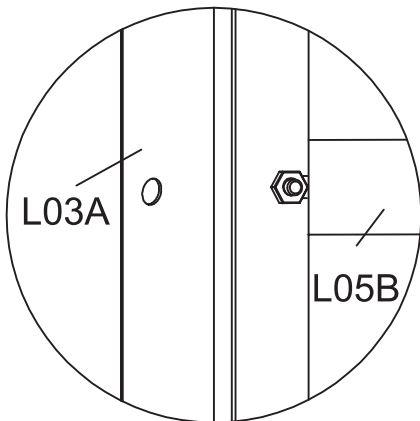
1



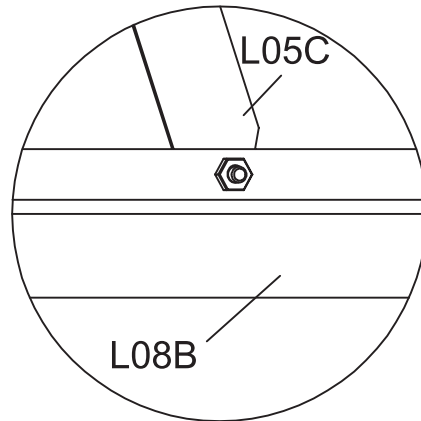
2

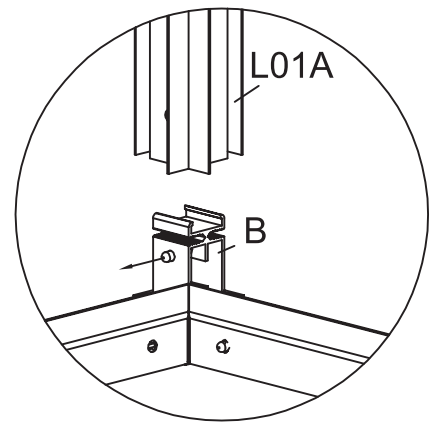
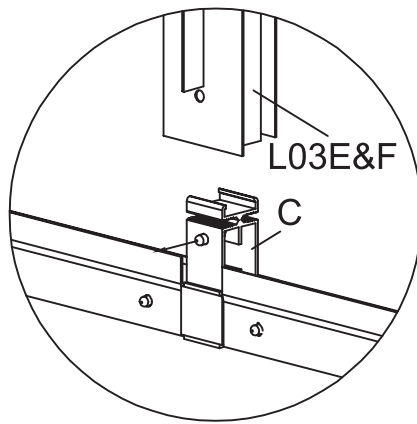
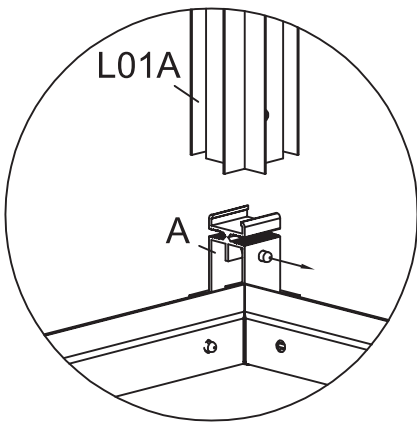
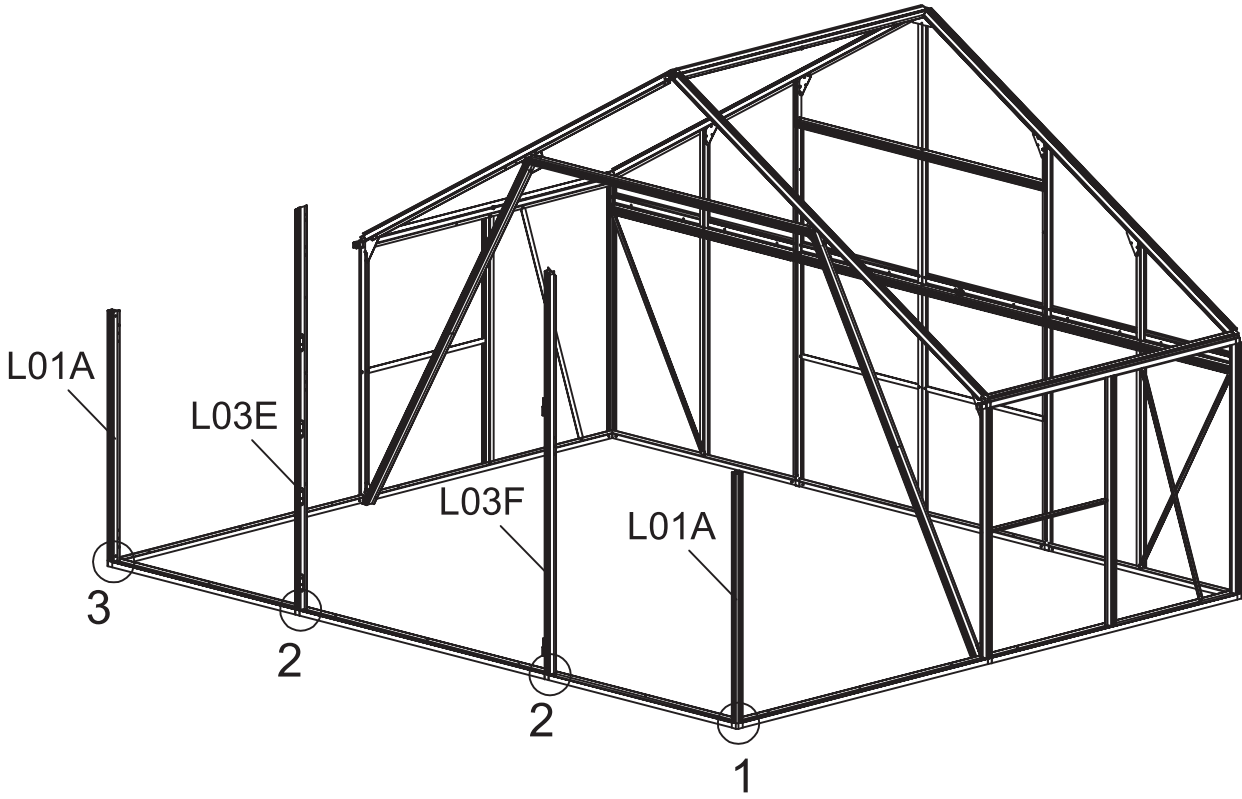


3

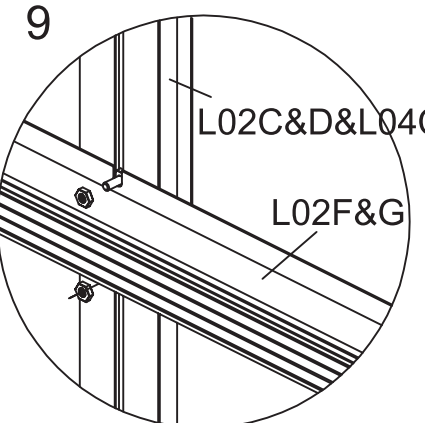
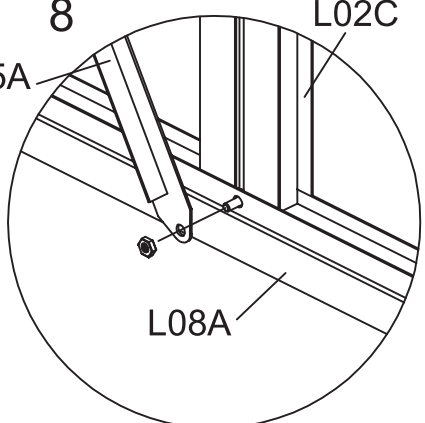
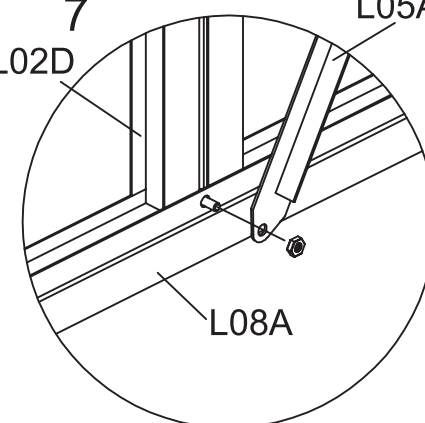
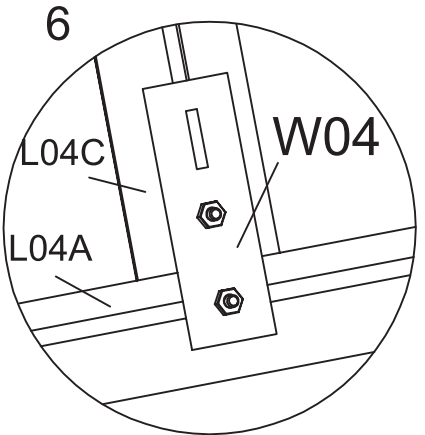
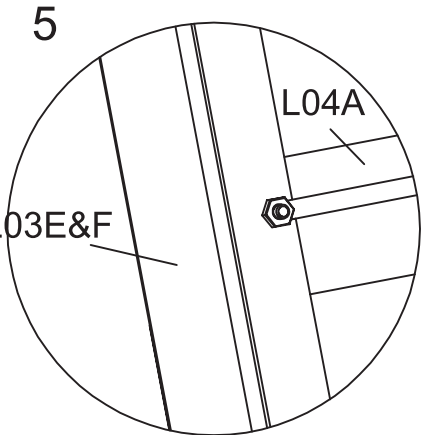
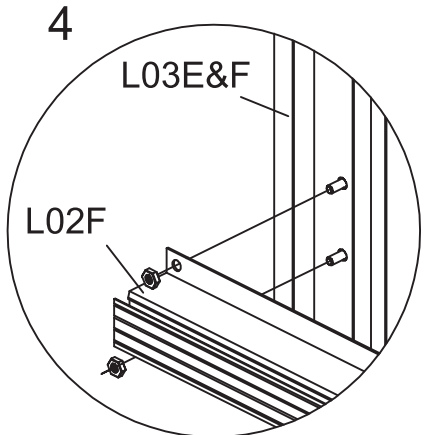
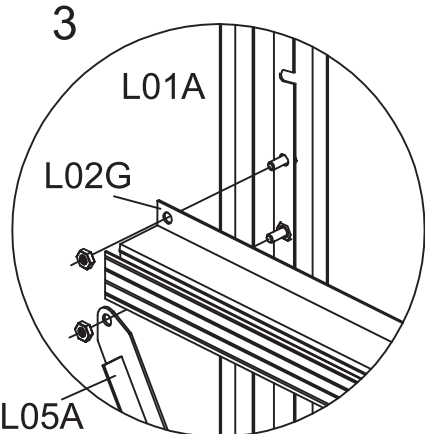
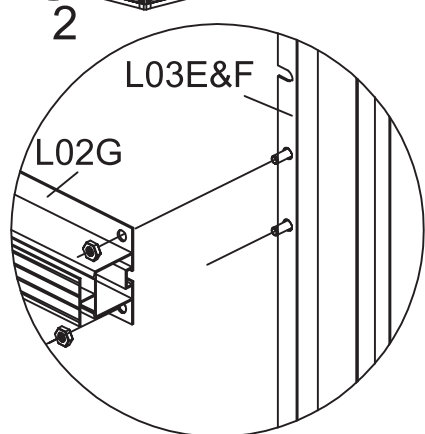
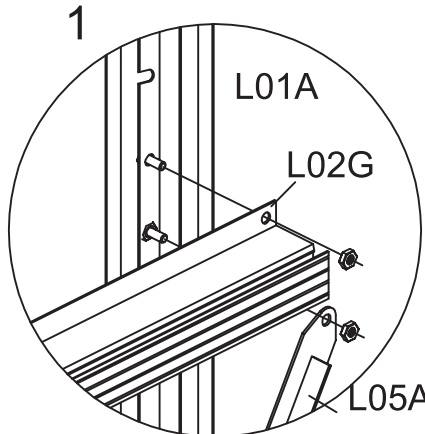
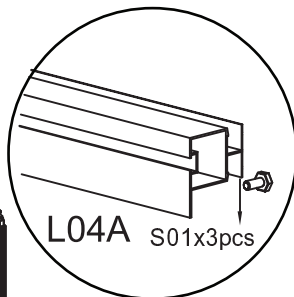
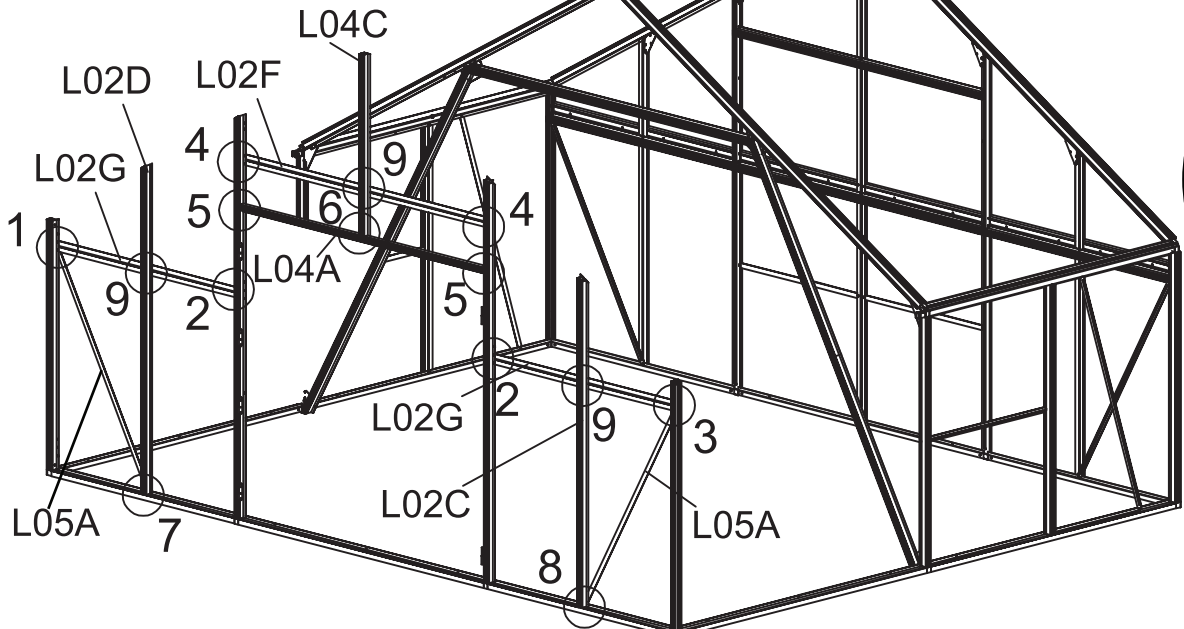


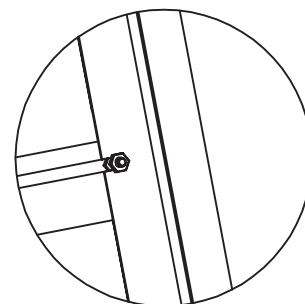
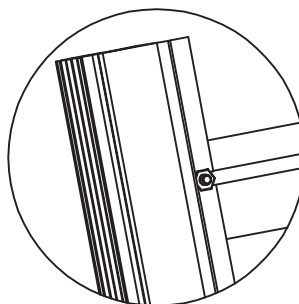
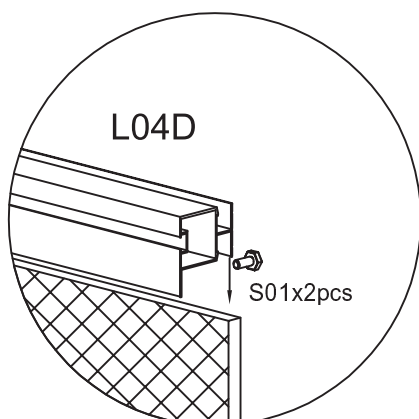
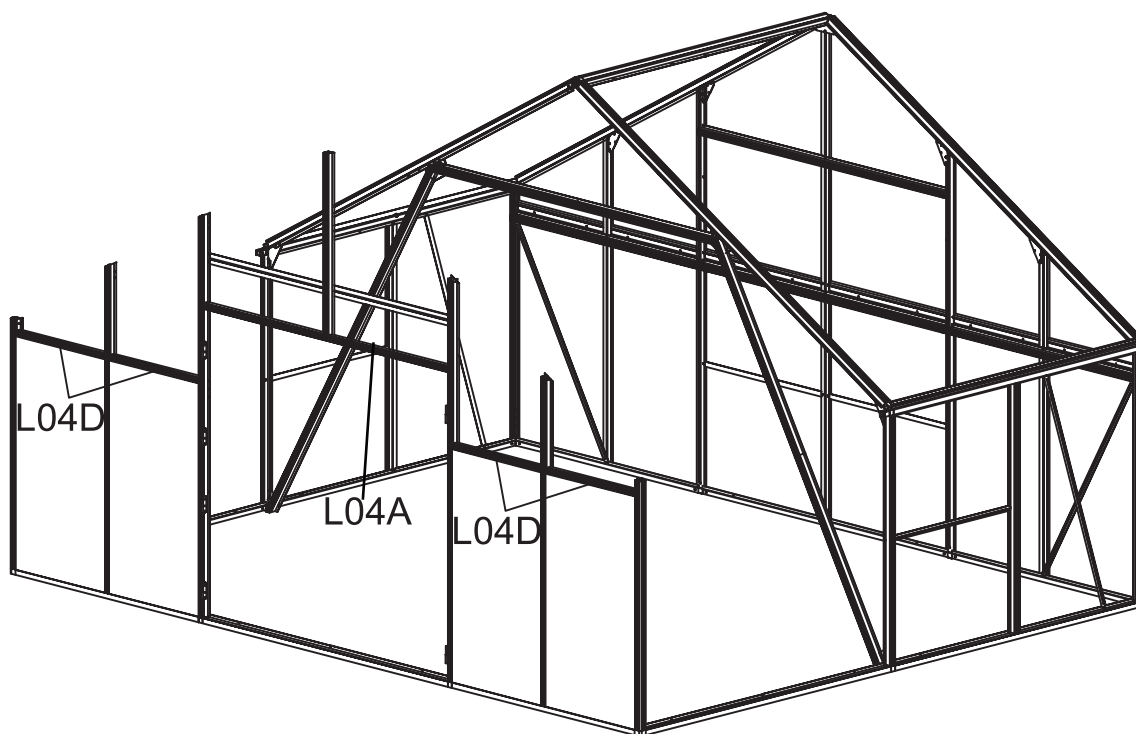
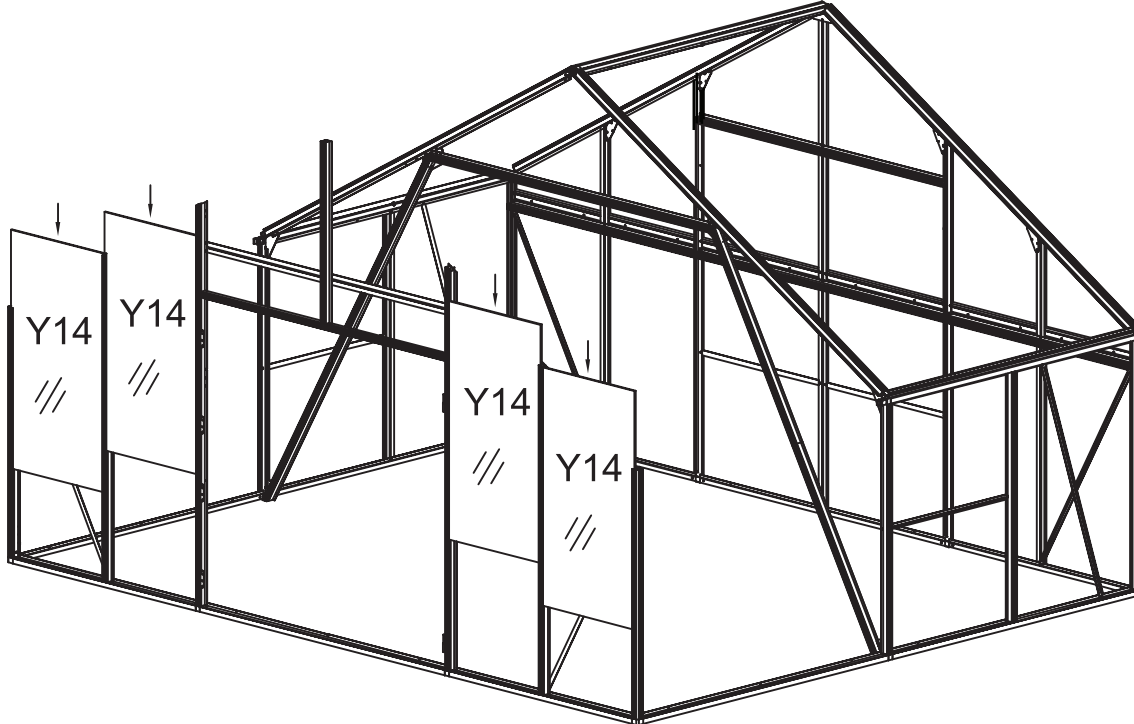
4



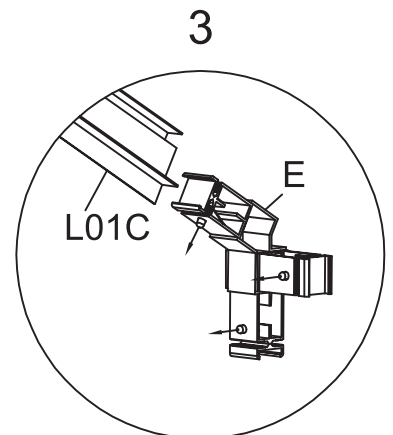
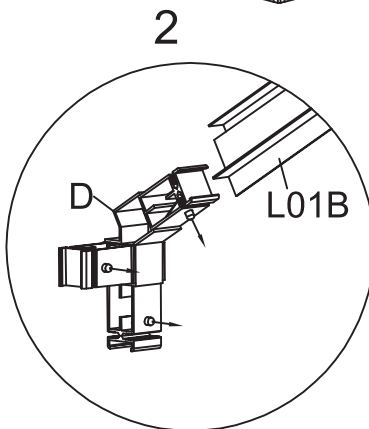
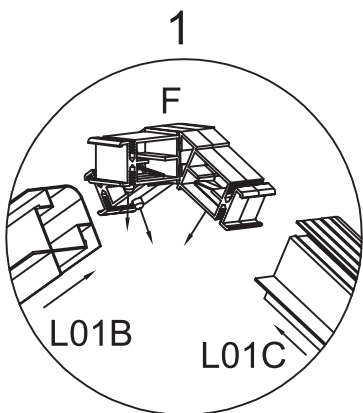
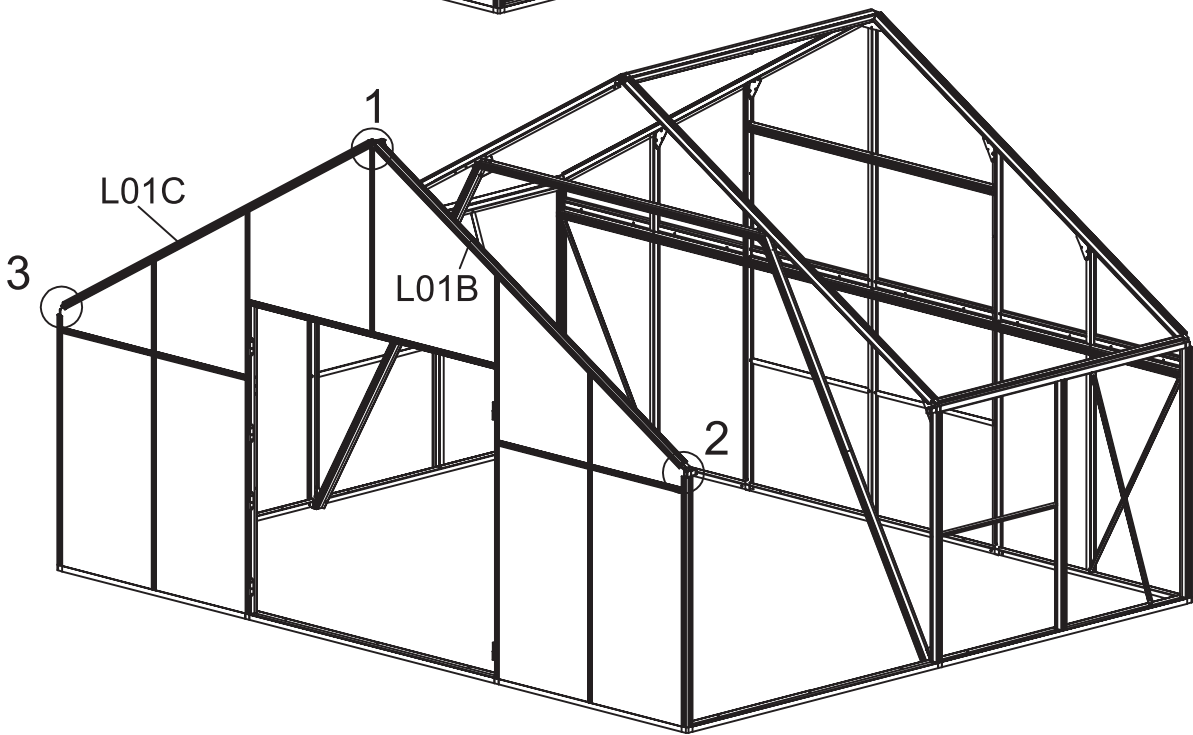
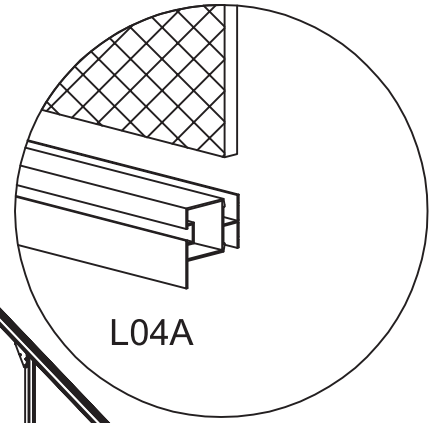
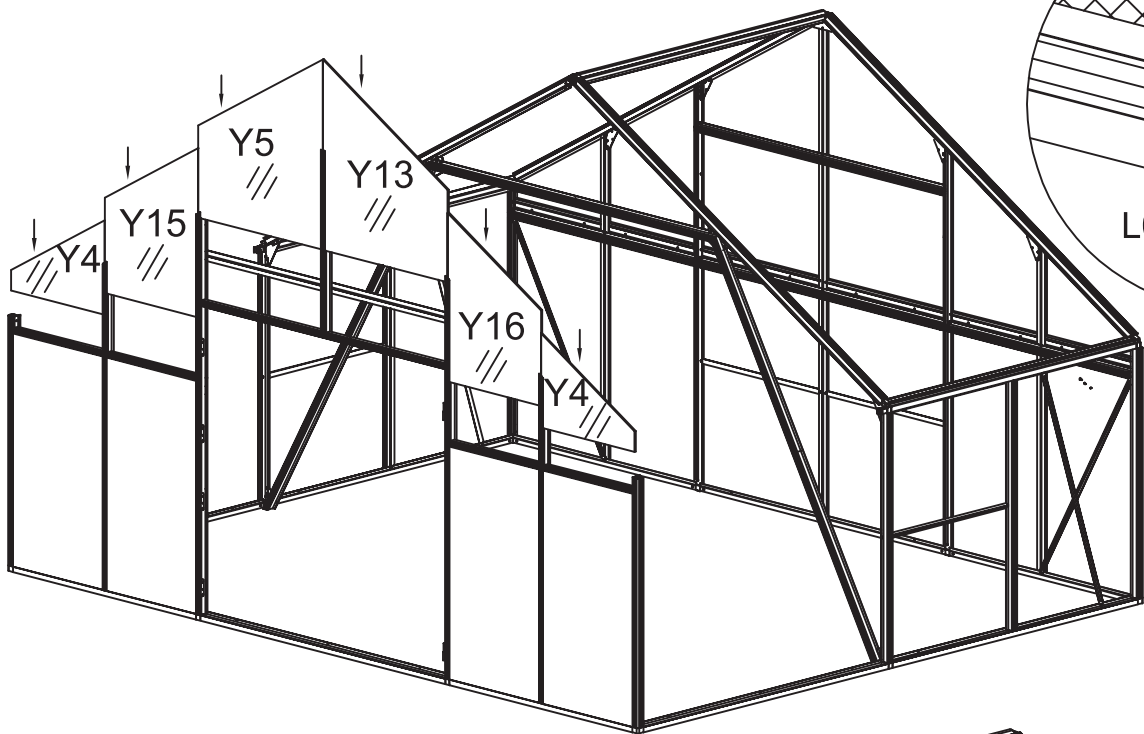


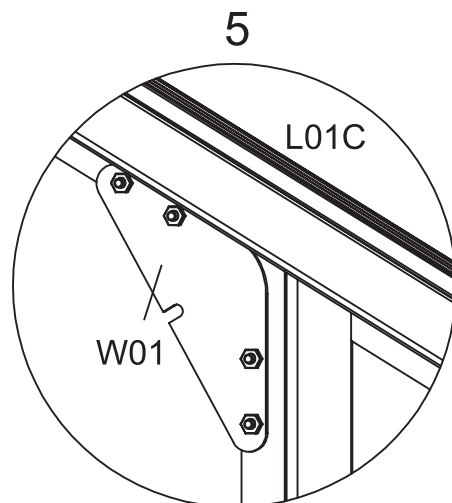
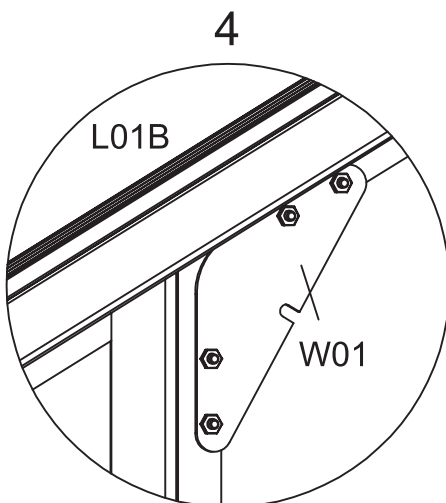
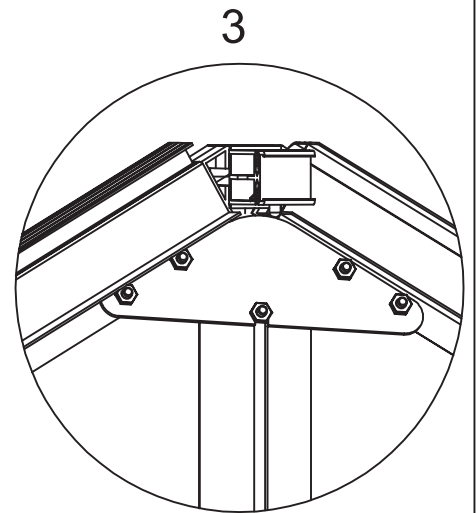
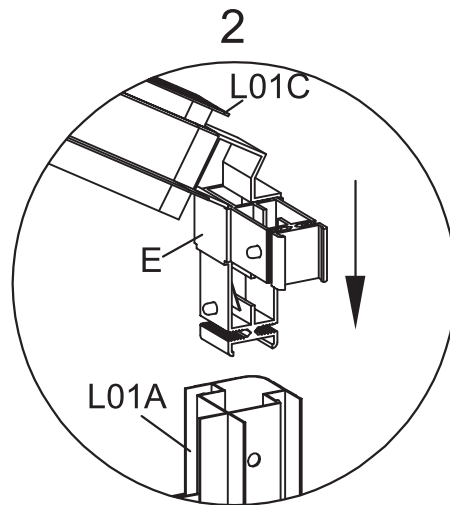
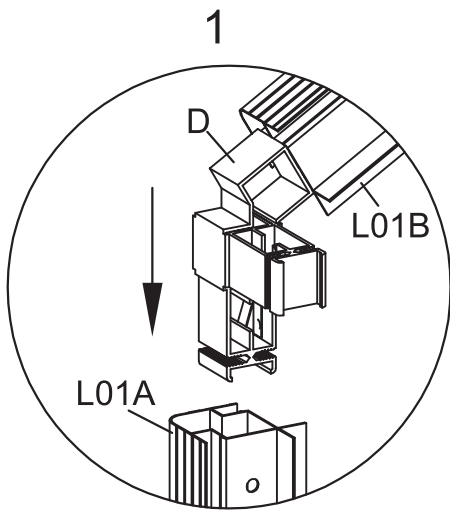
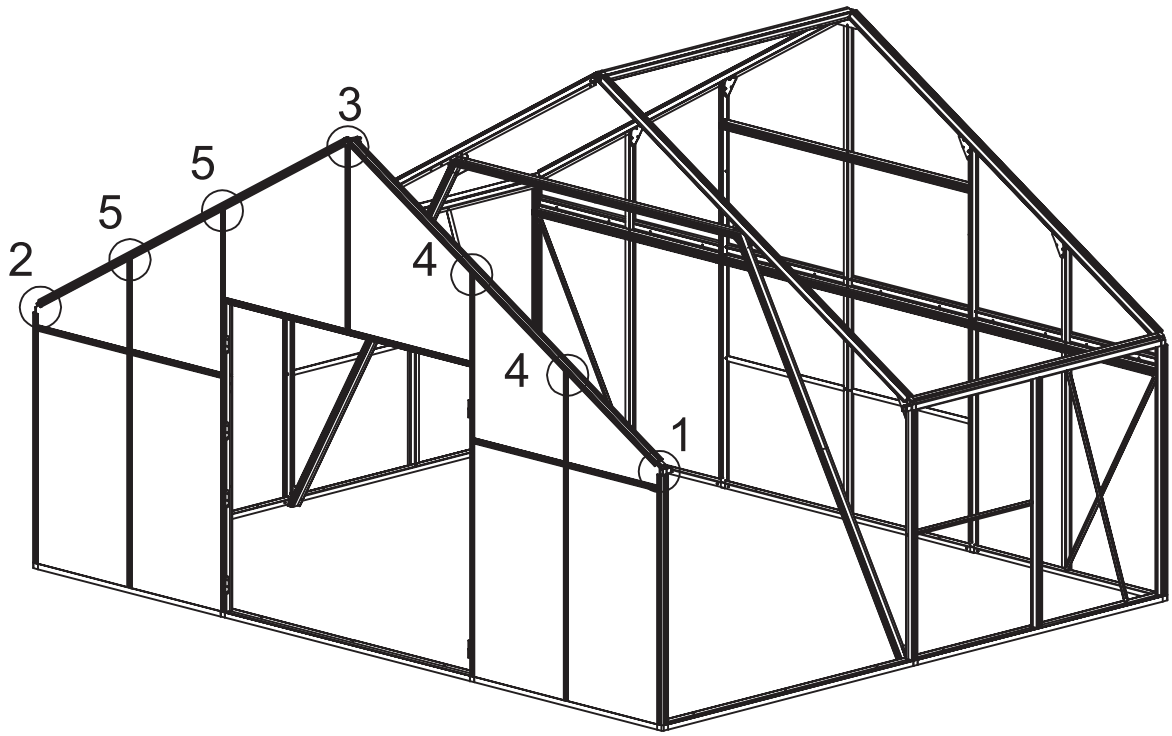
Slide 3 x S01 into L04A, and tighten L04A at each end with S01.



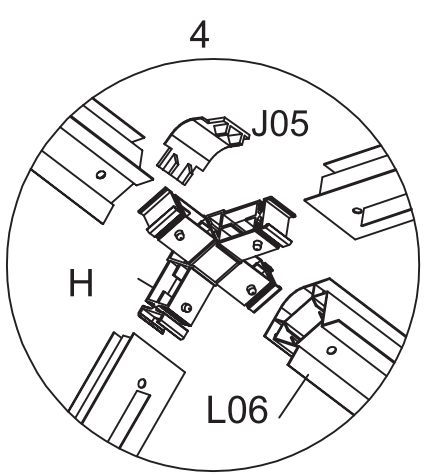
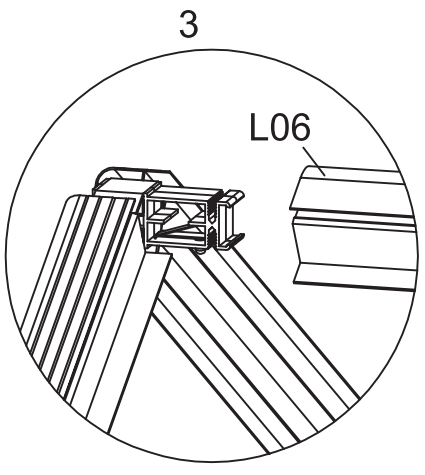
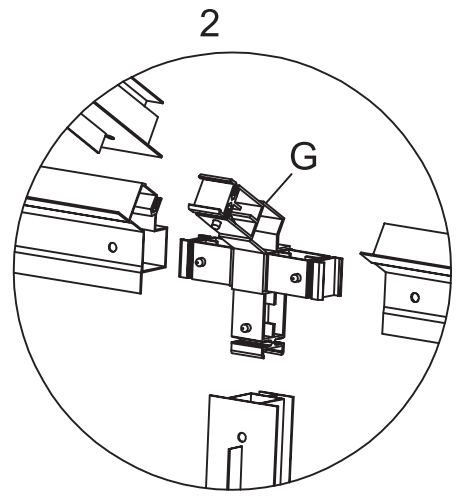
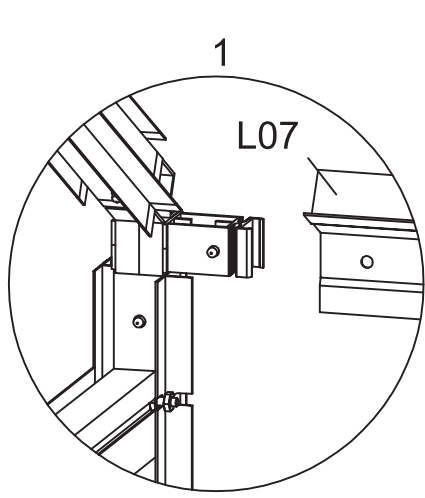
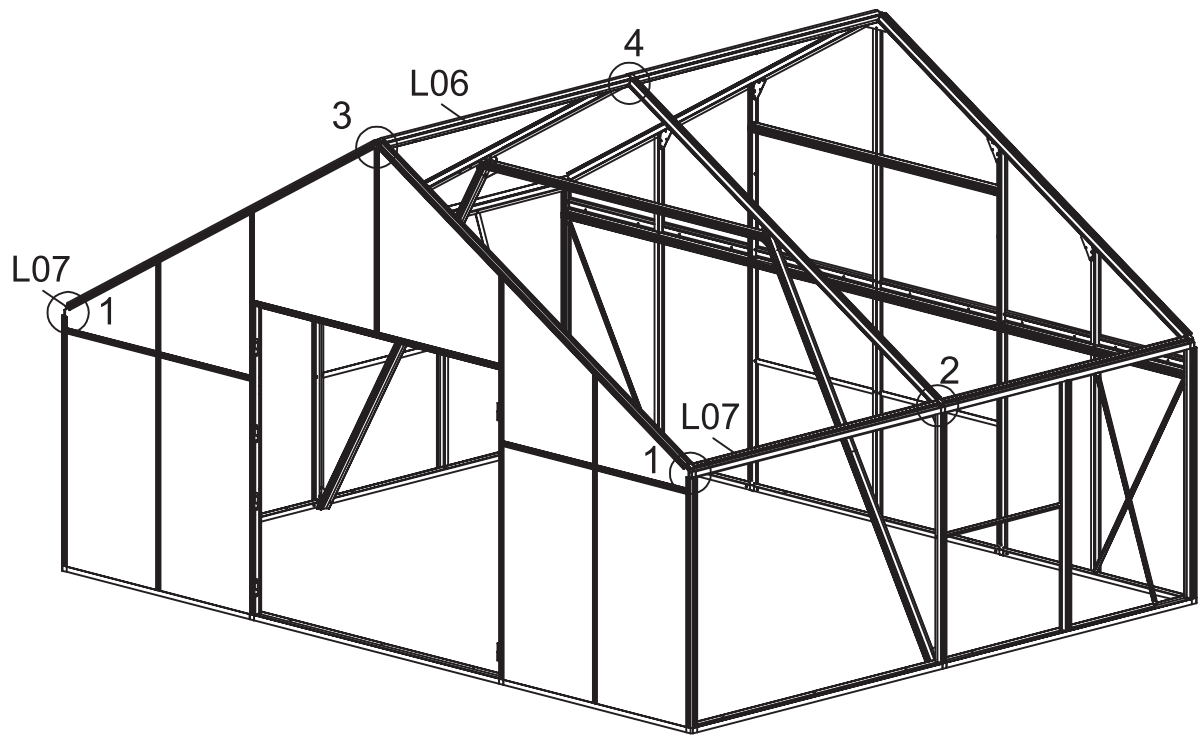


Slide 2 x S01 into each L04D and put each L04D onto the edge of each PC panel, then tighten all profiles at each end with S01.

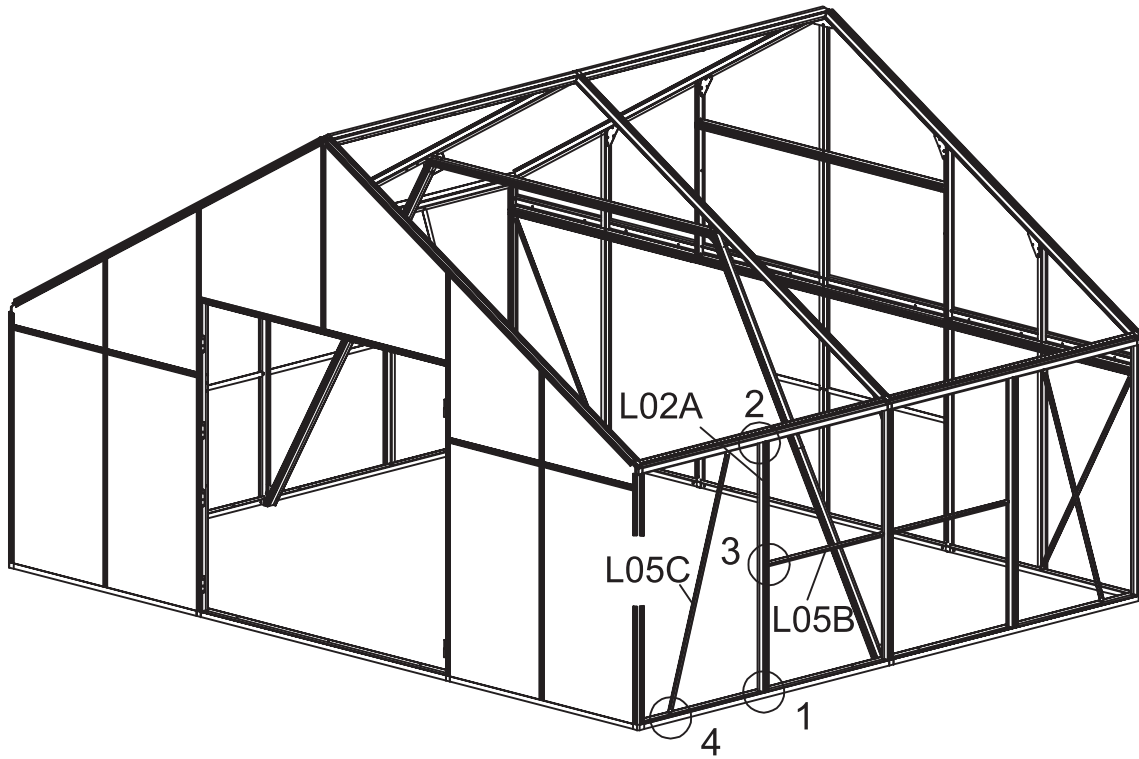




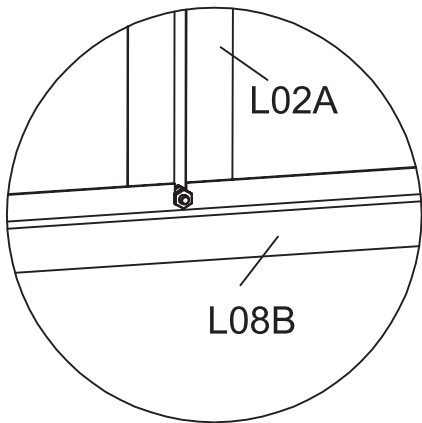




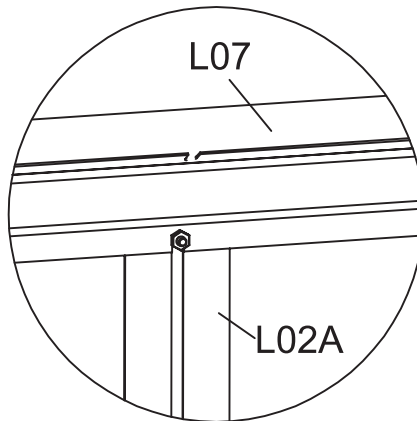




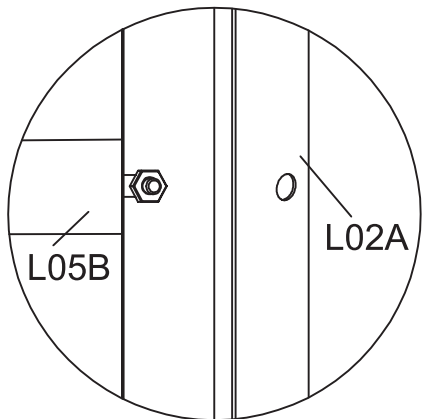
1



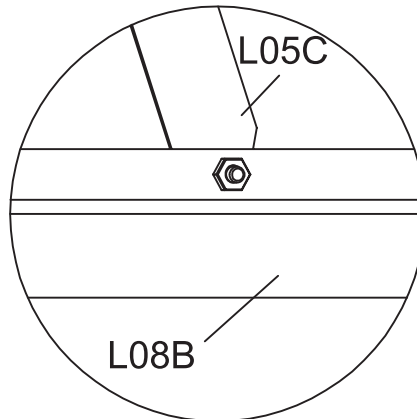
2

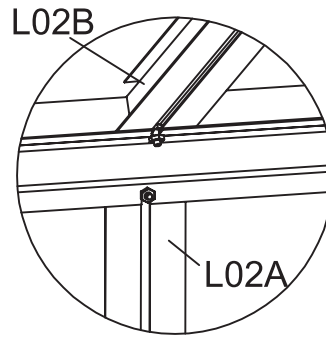
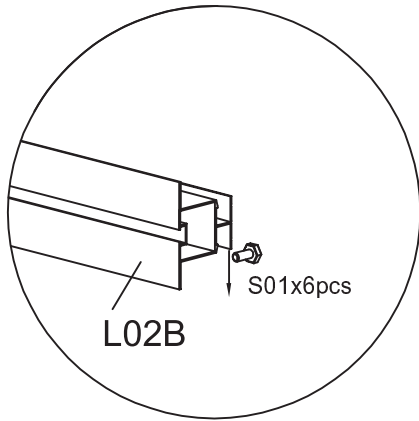
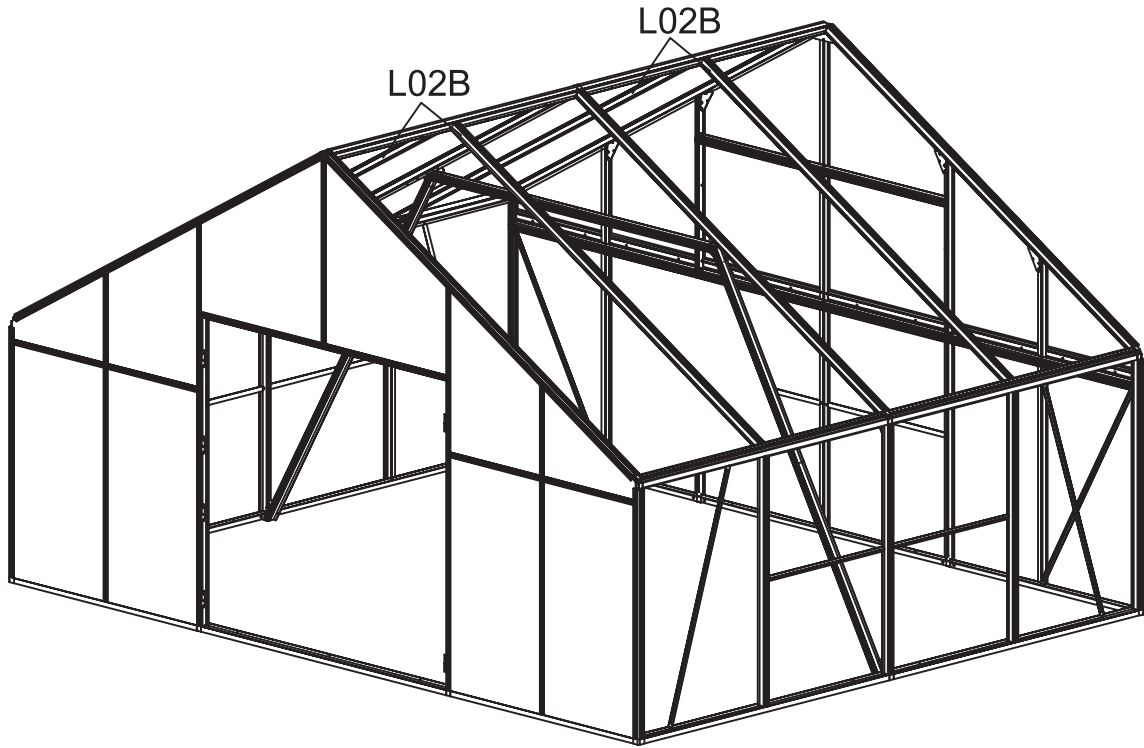


3

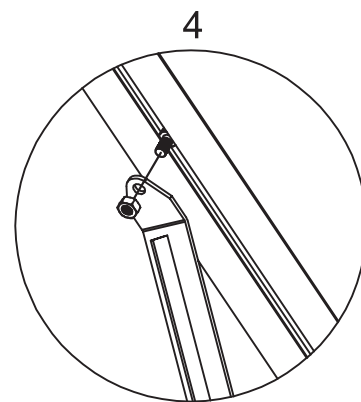
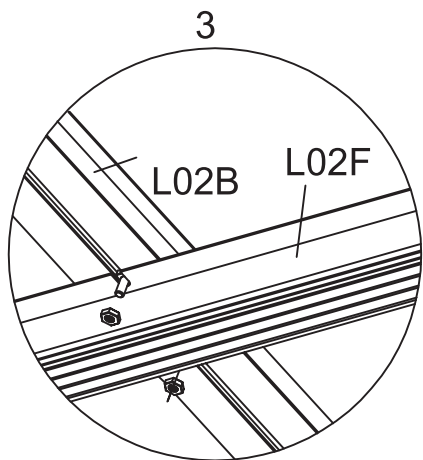
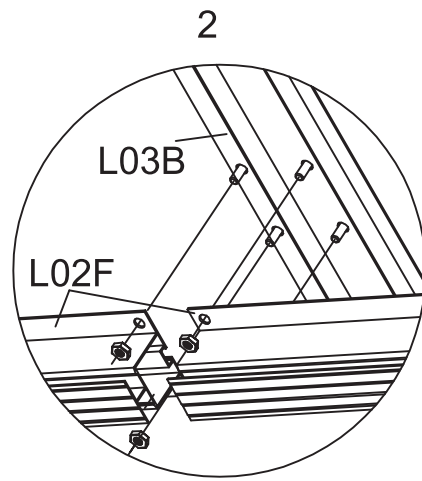
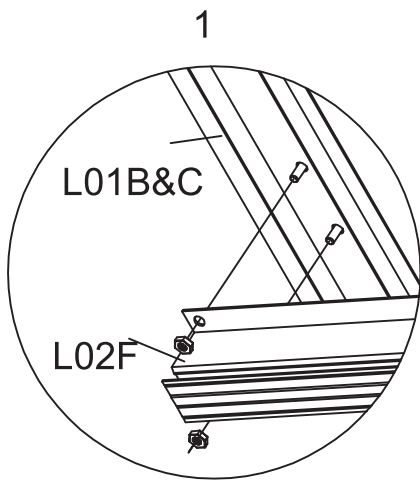
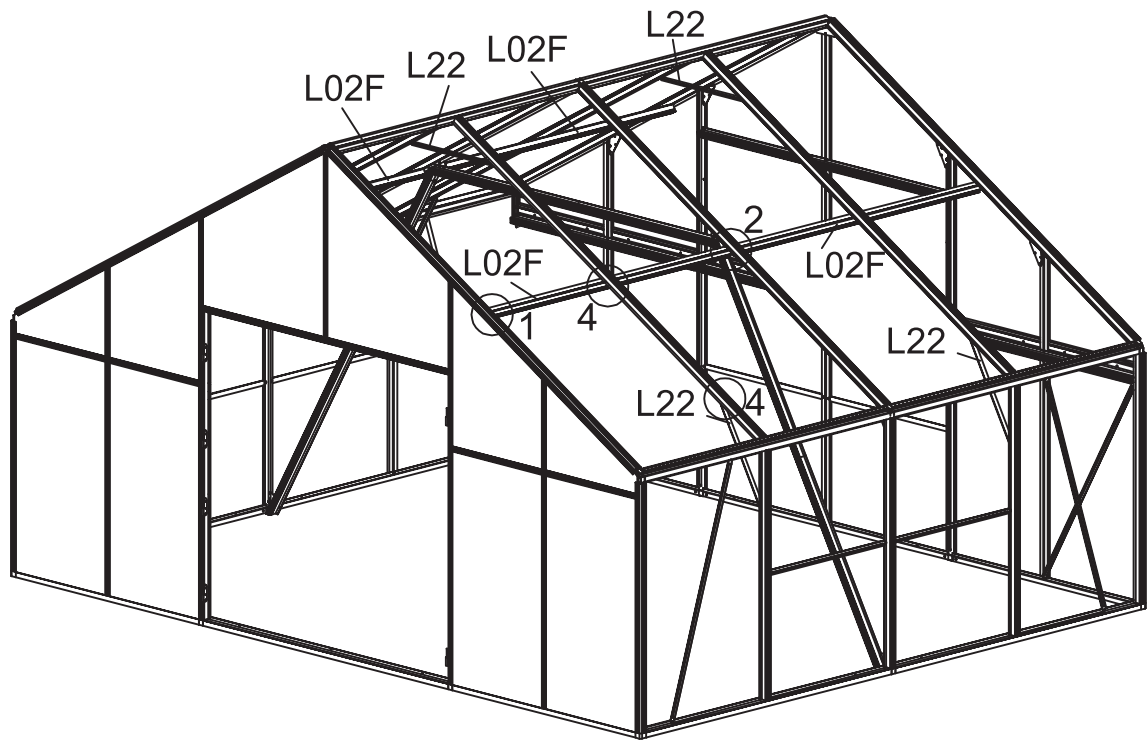


4

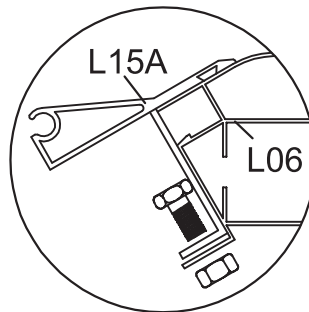
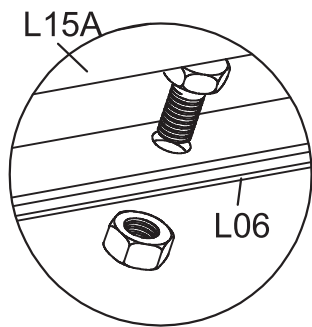
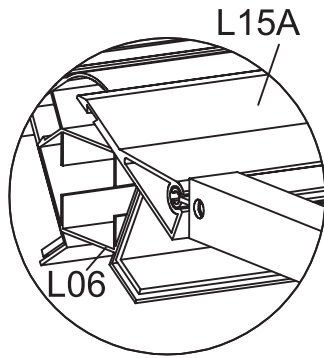
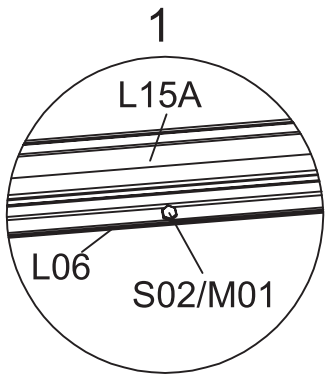
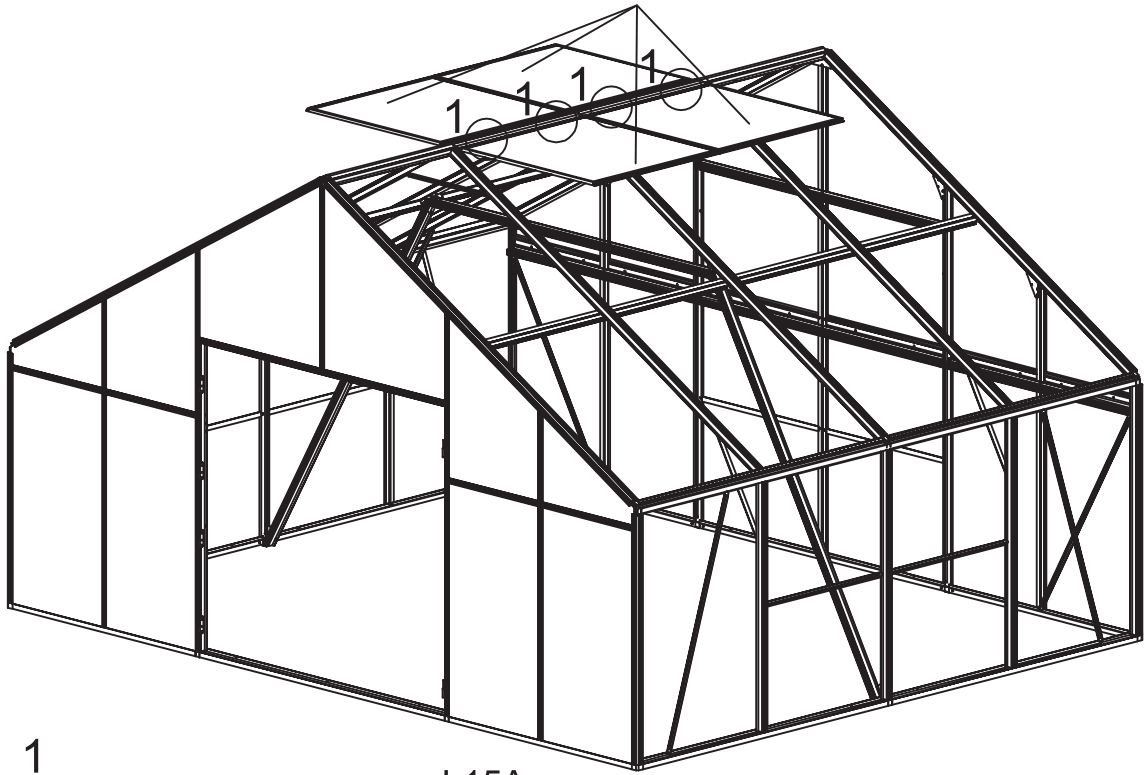


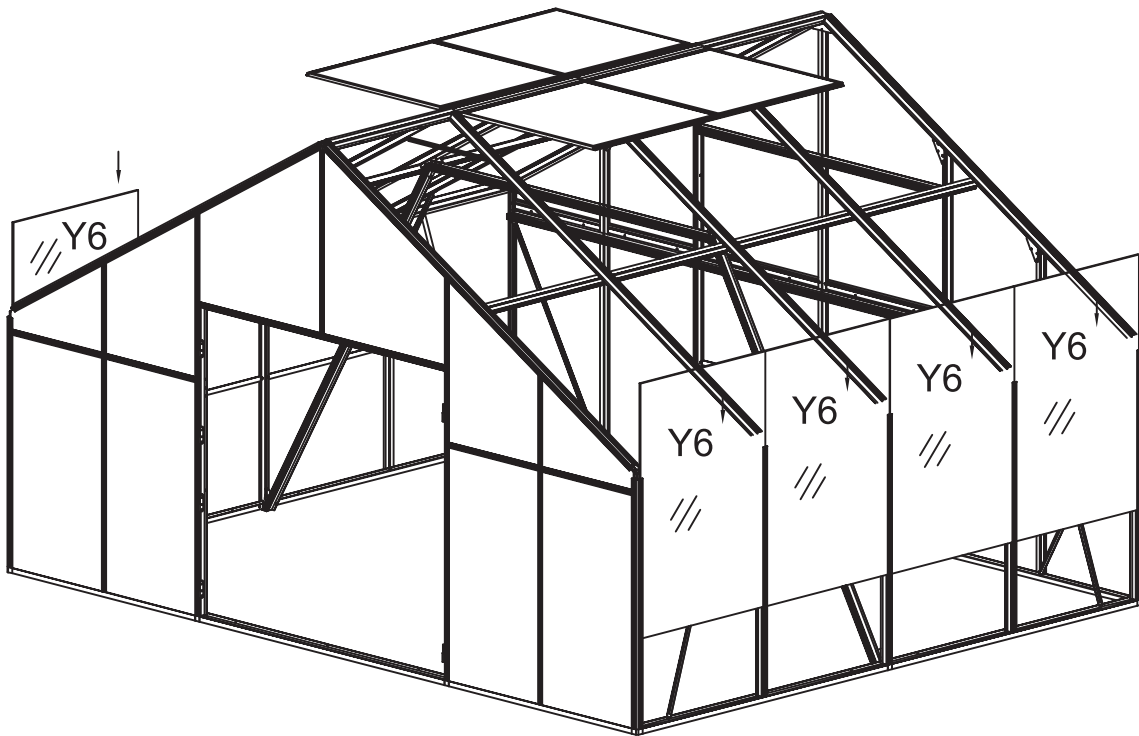


Note: Slide 6xS01 in the channel, which are needed later.

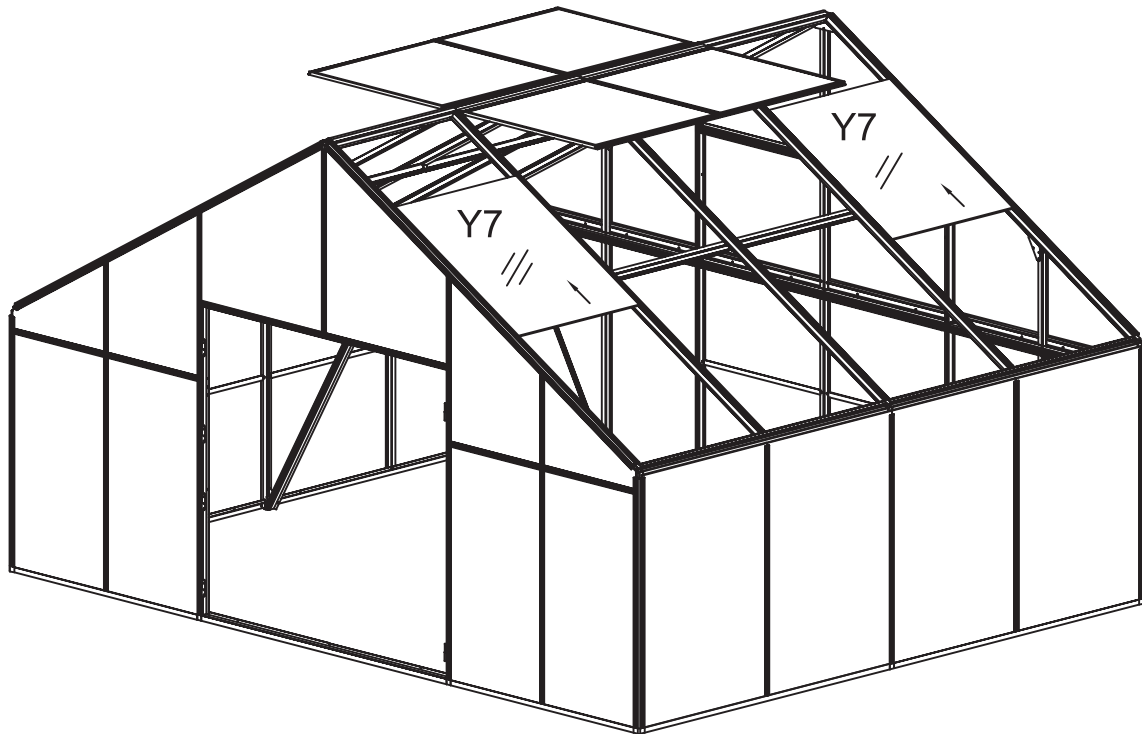


Roof Vent Assembly x 4PCS

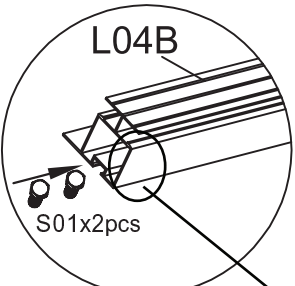
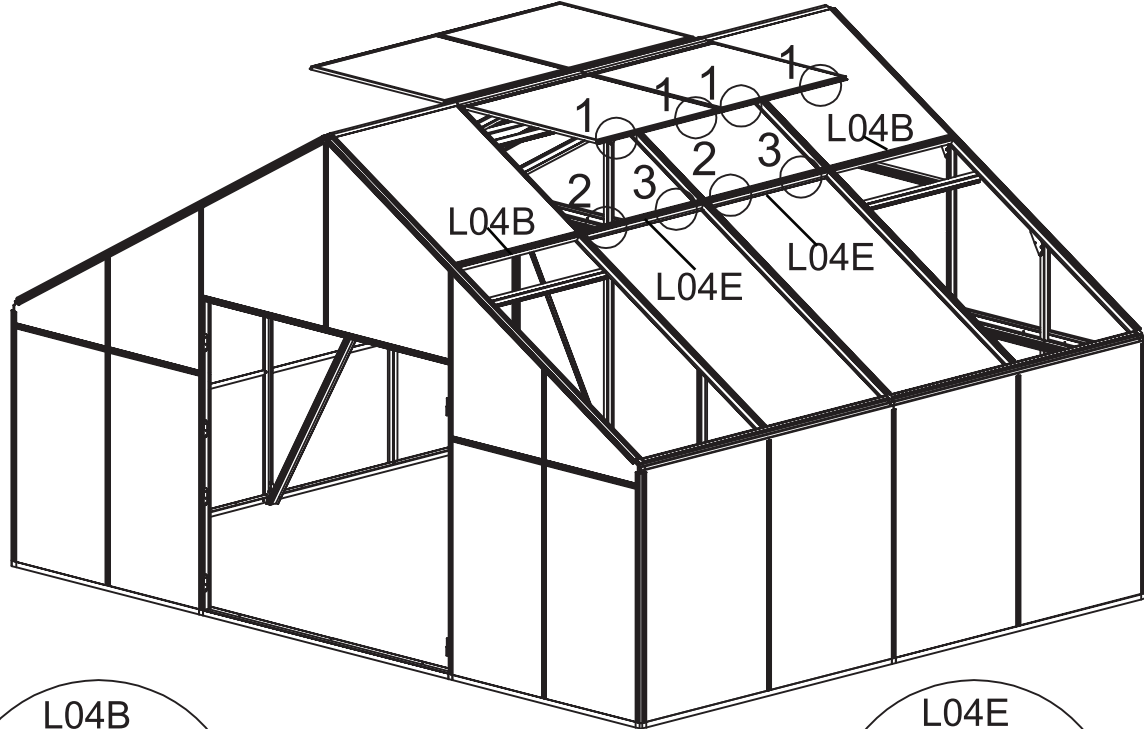




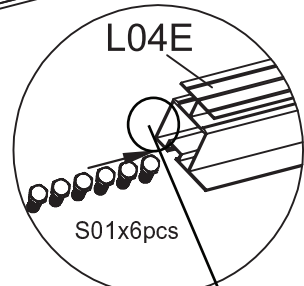
Insert all Y6 into each side of greenhouse.



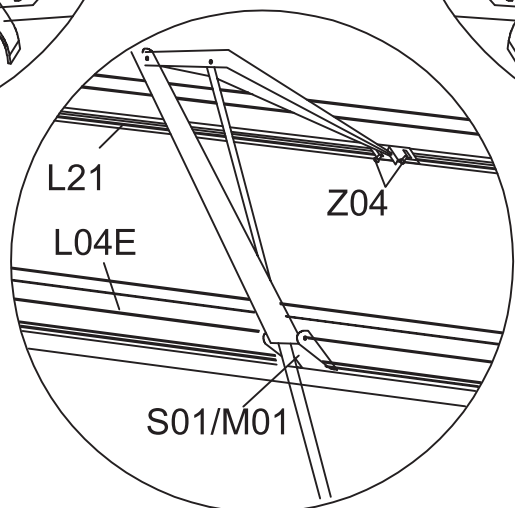
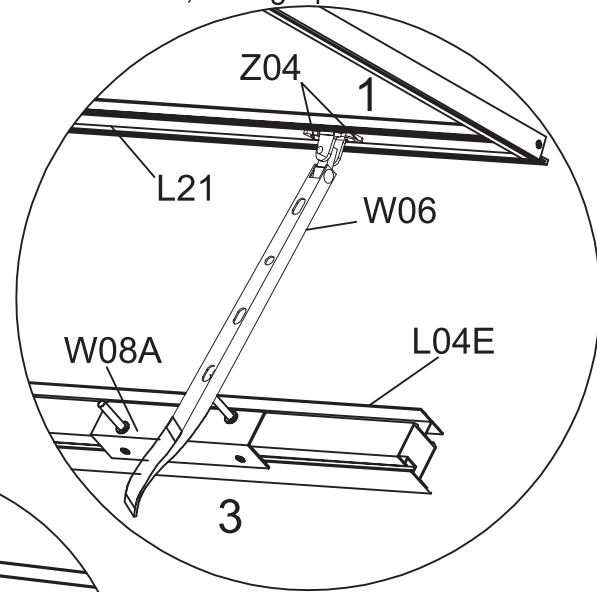
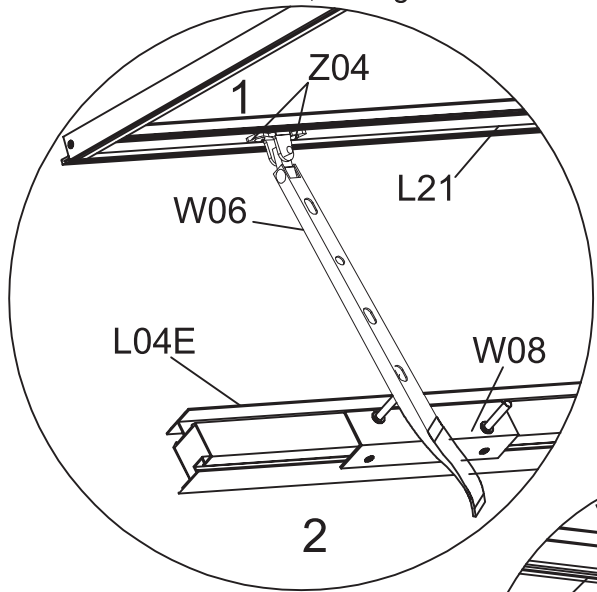
Insert all Y7 into each roof of greenhouse.



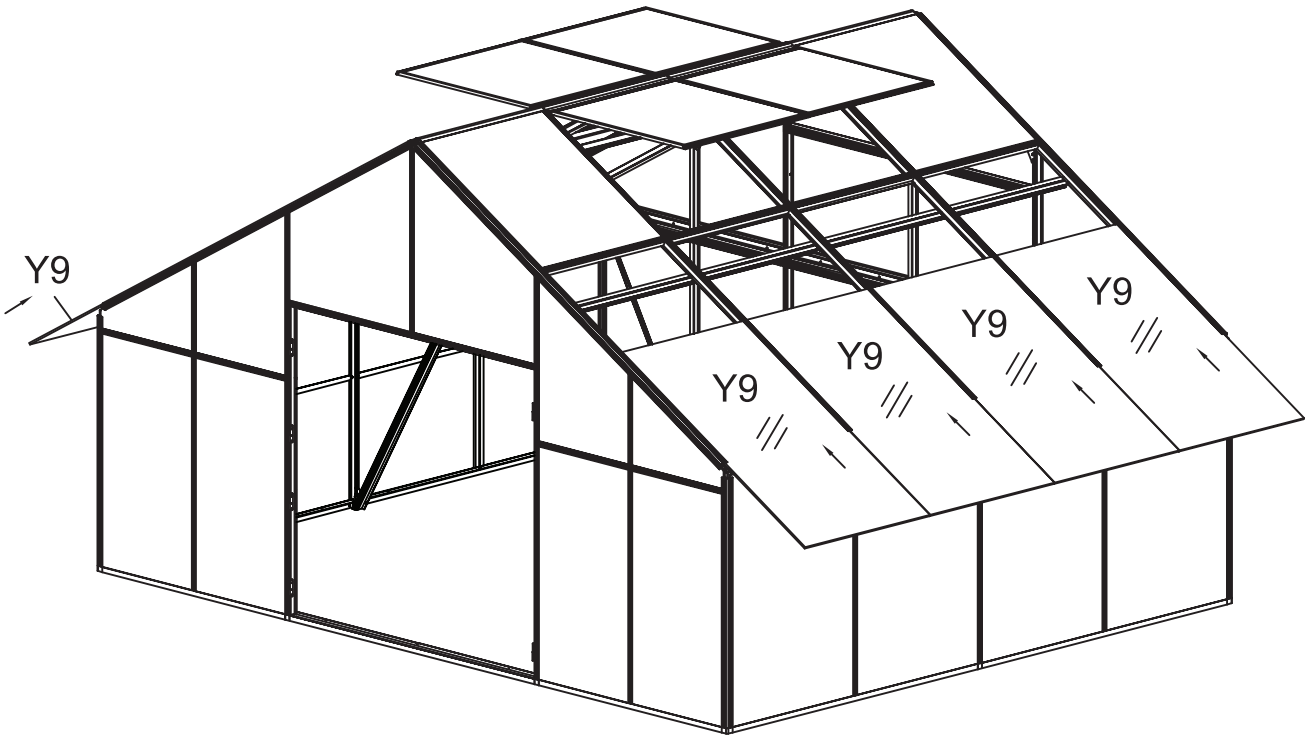
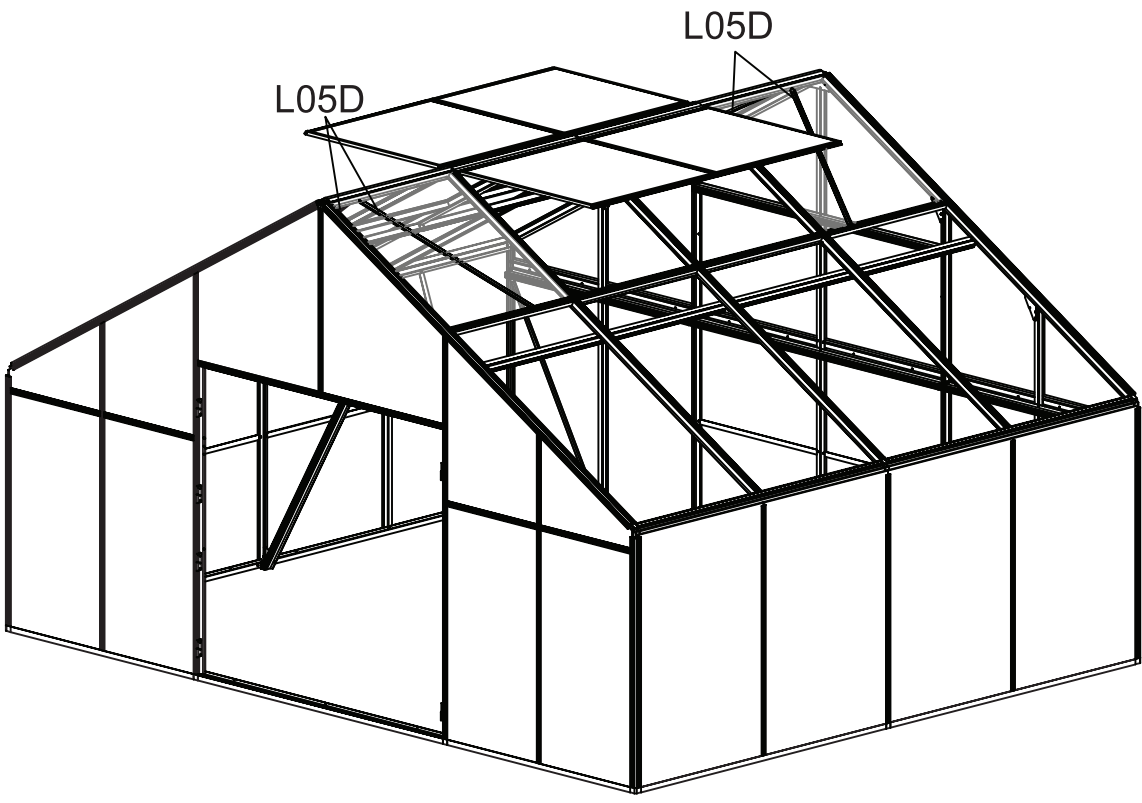
Pay attention to the cut edge of L04B which should be fixed, facing down.



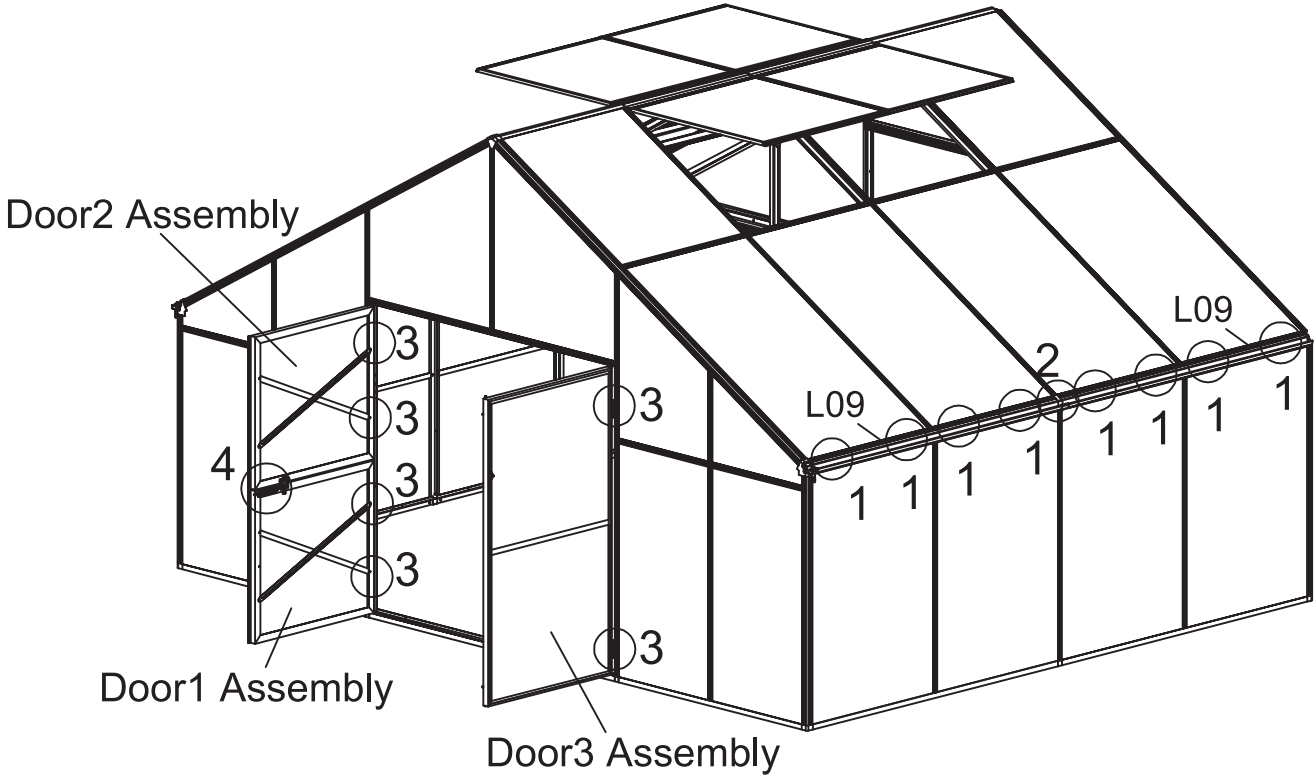
Pay attention to the cut edge of L04E which should be fixed, facing up.



REPEAT the same assembly for another side.

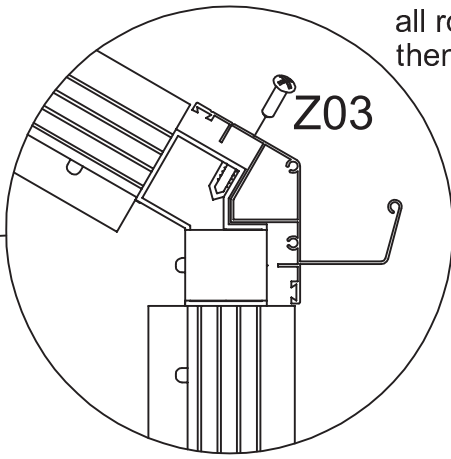
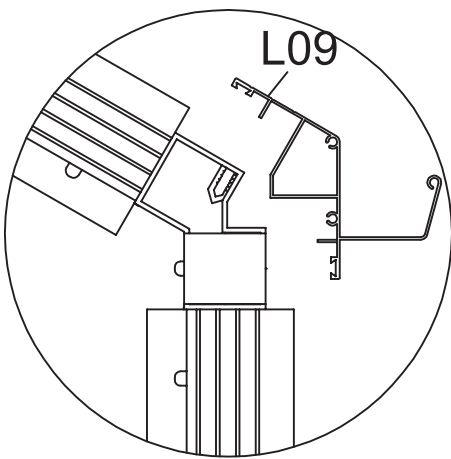


Insert all Y9 into each roof of greenhouse.

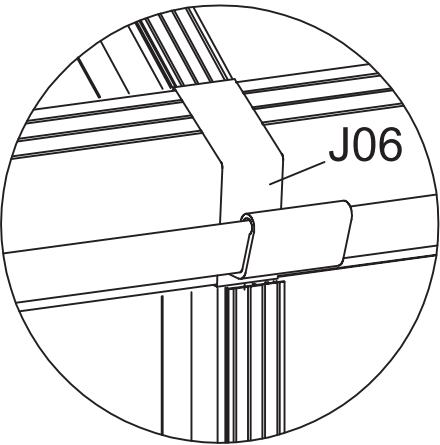


Use L09 to cover the edges of all Y9 after all roof PC panels are fixed in place, then tighten them with Z03.

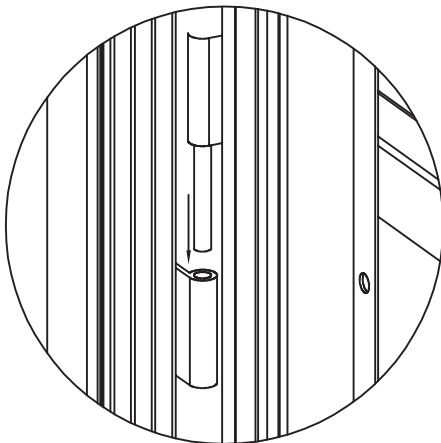
1



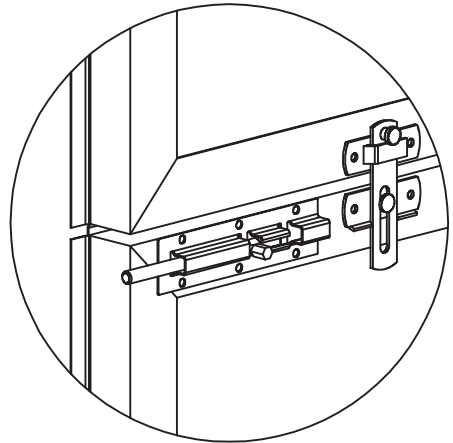
2



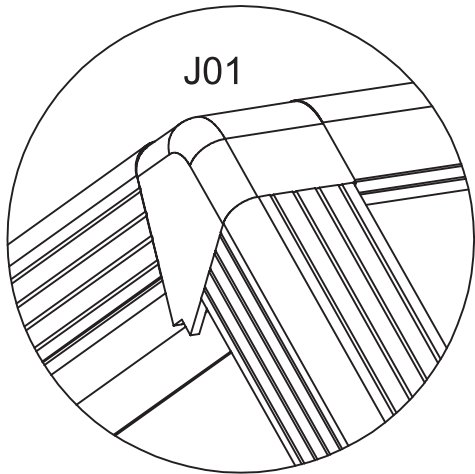
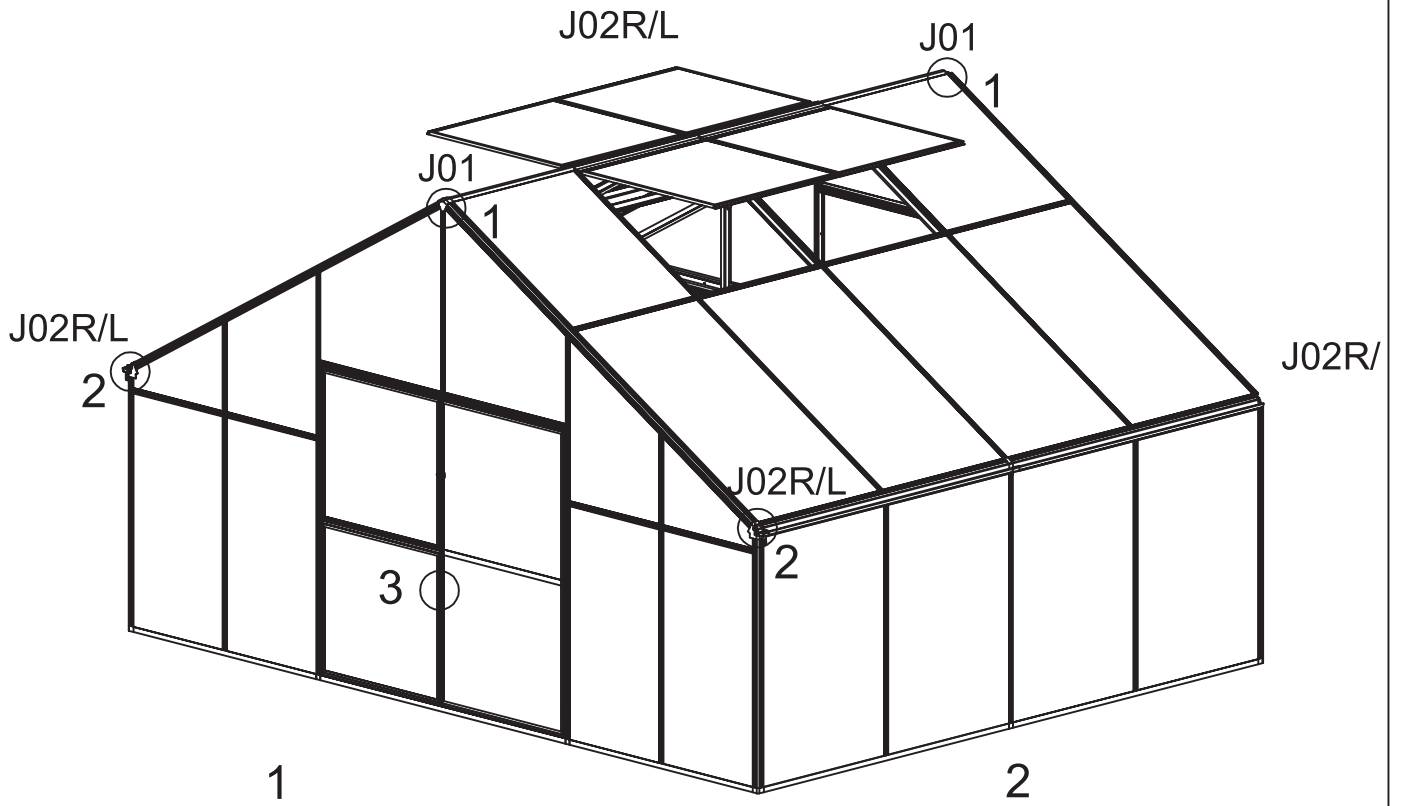
3



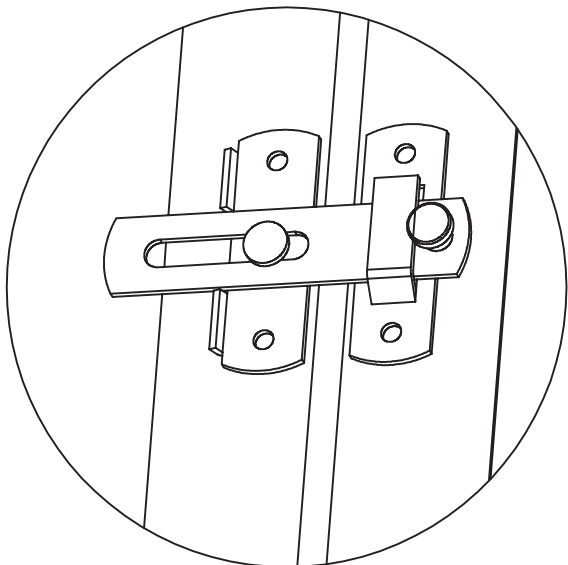
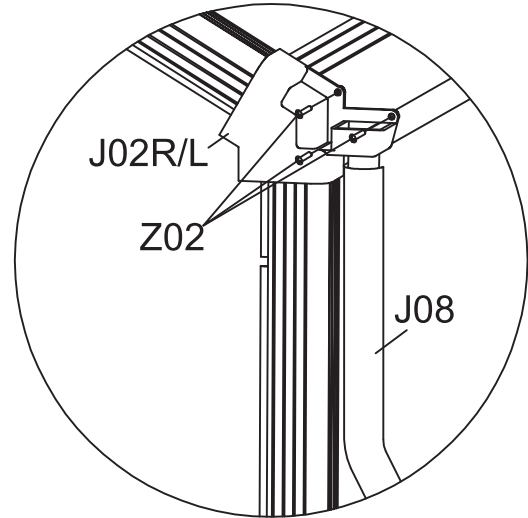
4

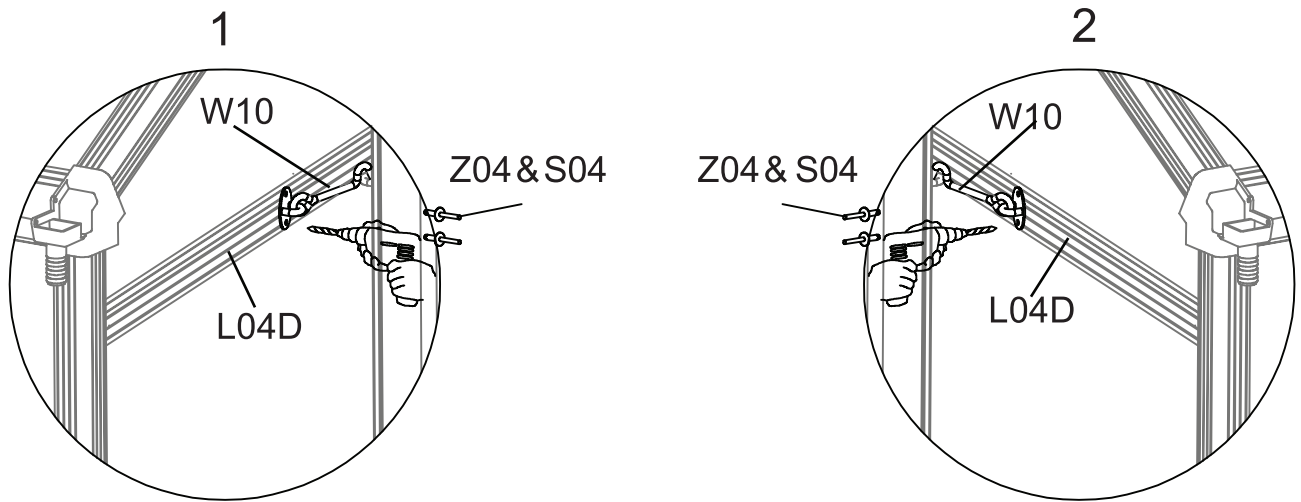
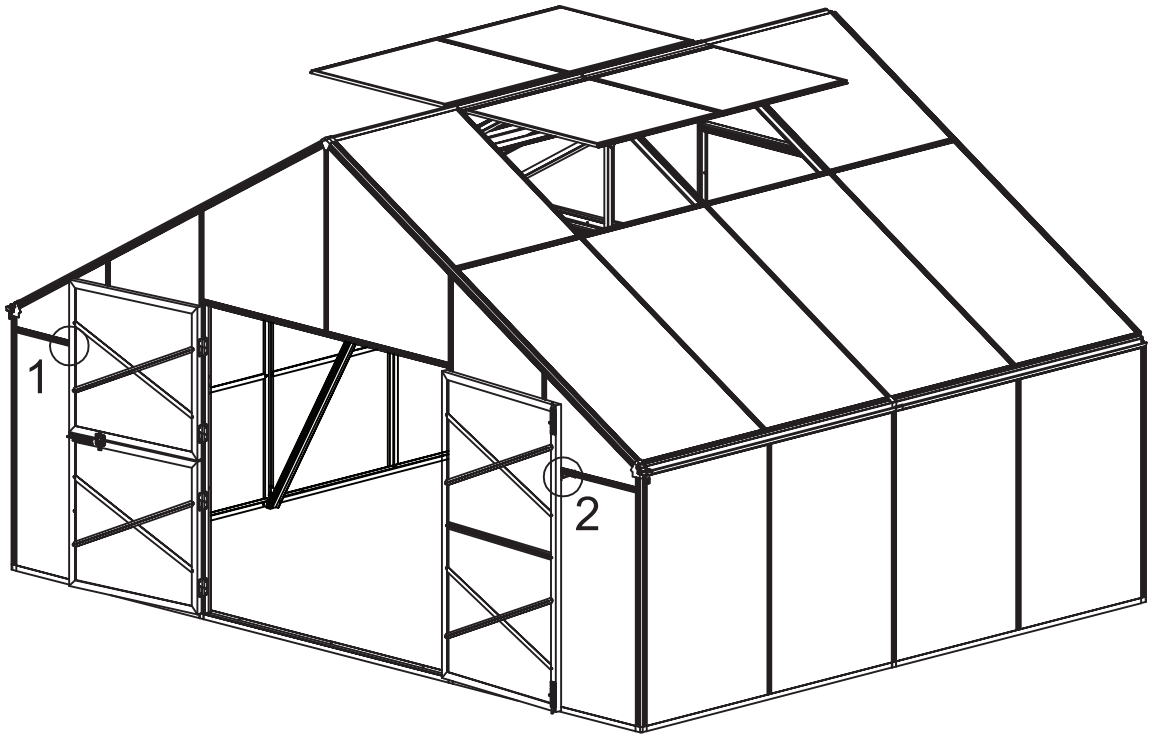






3





Drill the holes on each L04D as shown, Dia.3.2mm, and secure the hooks W10 with Z04 & S04, then ensure W01 works with Door1 & 2 & 3 properly when the doors are open.