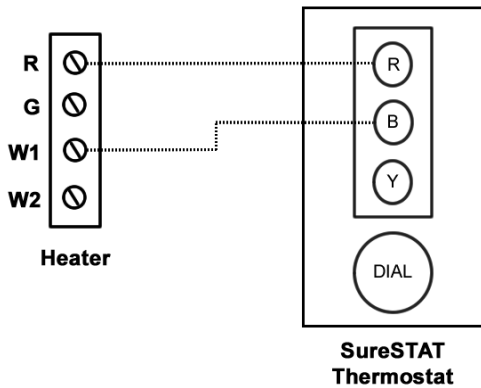
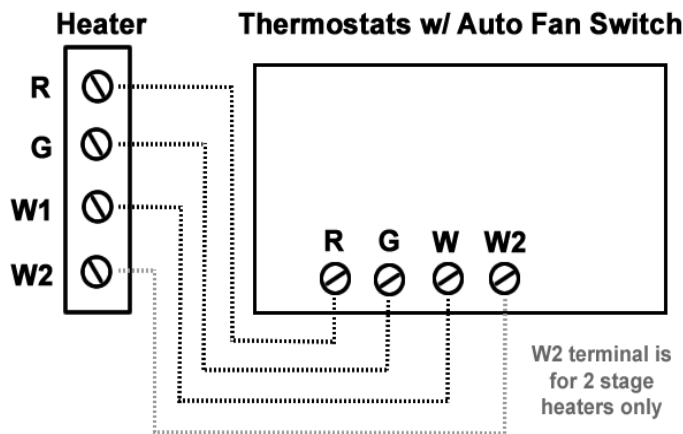


# Thermostat Wiring Instructions for Modine & Sterling Gas Heaters



## SureSTAT Single Stage Thermostats

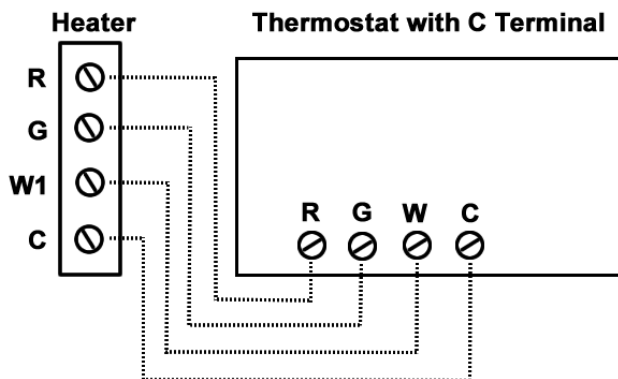
SureSTAT thermostats and other thermostats without an auto fan switch should be connected to the heater terminals as shown in the diagram to the left except the terminals on the thermostat may be labeled differently. Use the terminals listed in the thermostat manufacturer's wiring instructions for heating.



## Thermostats with an Auto Fan Switch

**Thermostats with an Electric / Gas switch** inside should be set to electric for the fan to operate correctly. **Thermostats with RC and RH terminals:** R on the terminal board can be wired to either the RC or RH terminal if the terminals are jumped together (Have a wire connecting them). If they are not jumped, consult the thermostat manual for instructions.

**NOTE:** There is a 20 to 70 second delay before the fan will come on.



## Digital Thermostat with Common Terminal

This thermostat adds a C connection which supplies power to the thermostat receiver. If the heater does not have a C terminal on the board, connect C from the thermostat to the 24v common terminal on the transformer.