

# INSTALLATION INSTRUCTIONS

## THIN WALL COLLAR KIT

## 9307

FOR USE WITH WILLIAMS GRAVITY AND COUNTERFLOW DIRECT VENT WALL FURNACES ONLY.

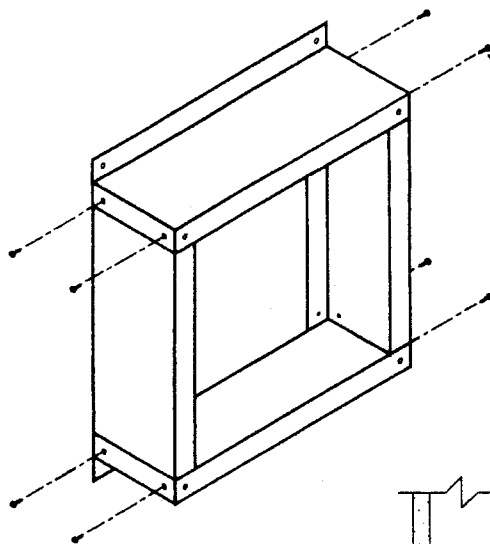
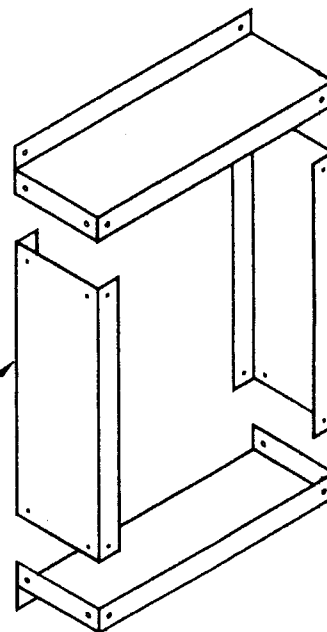
### KIT CONTAINS:

QTY.	PART NAME	PART NUMBER
(2)	FLANGE, MOUNTING	8B69
(2)	CHANNEL, SIDE	8B70
(8)	SCREWS #8 X 3/8 SHT. MTL.	P013200
(1)	PERMAGUM (PRESTITE)	P091900
(1)	INSTRUCTION SHEET	LA800-00

### WARNING

THIS KIT WILL ADD 4 INCHES TO THE WALL THICKNESS. CHECK ALL DIMENSIONS CAREFULLY. MAKE SURE THE VENT CAP ENGAGES AT LEAST 1-1/4 INCHES INTO THE AIR INLET AND FLUE TUBE TO PREVENT LEAKAGE OF FLUE GASSES. VENT EXTENSION KITS ARE AVAILABLE FOR THE 140, 220 AND 300 SERIES MODELS. SEE INSTRUCTION MANUAL.

**STEP 1:** CHECK CONTENTS OF 9307 KIT PRIOR TO ASSEMBLY. LAYOUT PARTS AS SHOWN

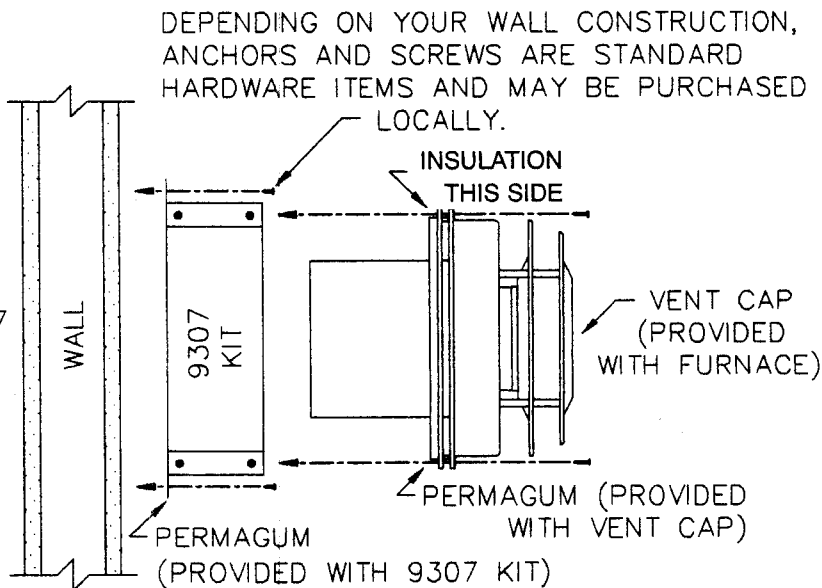


(8) SHEET METAL SCREWS  
(PROVIDED WITH 9307 KIT)

**STEP 2:** SCREW TOGETHER AS SHOWN. SIDE PIECES REST INSIDE TOP AND BOTTOM PARTS.

**STEP 3:** ATTACH 9307 KIT TO VENT CAP. WITH FURNACE MOUNTED IN POSITION, SLIDE VENT CAP AND 9307 KIT OVER FURNACE FLUE TUBES.

**STEP 4:** ATTACH ASSEMBLIES TO WALL BY SECURING THRU 2 HOLES IN EACH FLANGE.



**NOTE:** ADDITIONAL CAULKING MAY BE REQUIRED. USE SILICONE TYPE NOT LATEX TYPE.